

SINGER
45w51,w52 & 49w51

LIST OF PARTS



MACHINES

Nos. 45w51, 45w52
and 49w51

THE SINGER MANUFACTURING COMPANY

INDEX

	PAGE
ACCESSORIES	38
BOBBIN WINDER	38
FEED DOGS	40
FOOT LIFTER	39
MACHINE No. 45w51	7
" " 45w52	18
" " 49w51	29
MISCELLANEOUS PARTS	42
NUMERICAL LIST OF PARTS	43
THREAD UNWINDER	39
THROAT PLATES	41

Instructions for Ordering

In ordering from this list, use **ONLY** the **PART** number in the **FIRST** column.

The number stamped on a Sewing Machine Part is the number of the Single Part only, except when the part includes Set Screws, Clamping Screws, Studs and Rollers Spun on, Small Wires riveted, or Parts soldered together, etc., which it is necessary to furnish in combination.

Every combination of parts sent out has its specific number which, although not stamped on Parts (except in above cases) must be used when ordering the combination.

Each number always indicates the **SAME PART** in whatever list it appears, or for whatever Machine.

The letters after some of the numbers indicate the style of finish only, as follows:

- A. Hardened, Polished and Plated.
- B. Polished and Plated.
- C. Hardened only.
- D. Polished only.
- E. Soft, not polished.
- F. Hardened and Polished.
- H. Blued.

These letters **MUST BE USED** when they appear in the list and **AFTER** the number, as in the list.

In this series

200001 to 201500 are Screw Numbers.

201501 to 201800 are Nut Numbers.

201801 to 202000 are Roller Numbers.

202001 and upward are numbers of Machine Parts.

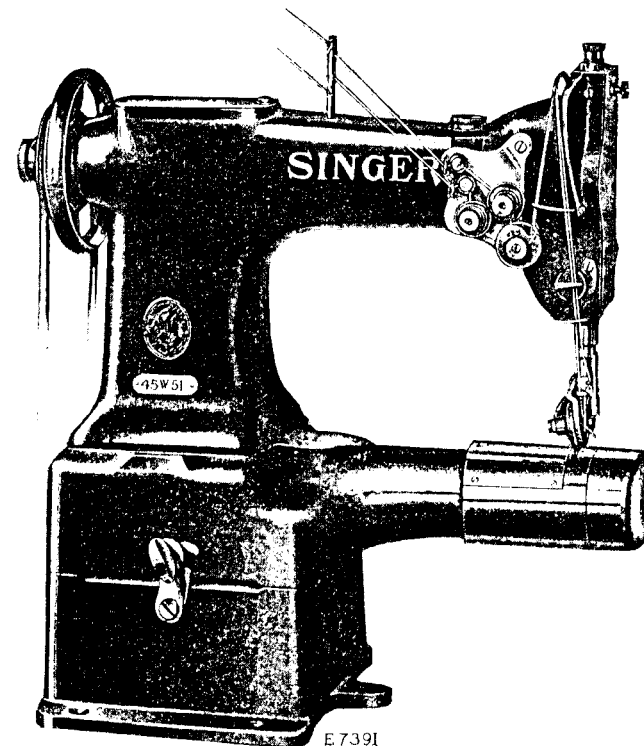
The figures in the second column refer only to the plate in which the illustration of the part is shown and are **NOT TO BE USED** in ordering.

Two or more numbers over a cut indicate that the difference between such parts is not visible in an illustration.

Parts marked with an asterisk (*) are furnished only when repairs are made at the factory.

LIST OF PARTS COMPLETE

FOR



MACHINE No. 45w51

HIGH SPEED. LEFT HAND. DROP FEED. ROLLER
PRESSER. CYLINDER BED

For Vamping

In gauges from $\frac{1}{32}$ to $\frac{1}{16}$ inch

No.	Plate	Name
*235001	---	Arm with 202135
224002	15127	" Cap
200278u	15126	" " Screw
202248	11151	" " Washer
204235	15126	" Position Pin (2)
200010e	15126	" Screw (3)

Parts for Machine No. 45w51

No.	Plate	Name
202005	11151	Arm Screw Washer (3)
235002	15128	" Shaft with 200357E and 203100
237748	15127	" " Bushing (back) with
		202299
202299	---	Arm Shaft Bushing (back) Oil
		Packing (wick)
200071E	15126	Arm Shaft Bushing (back) Screw
		(3)
239062	15127	Arm Shaft Bushing (front) with
		202244
202244	---	Arm Shaft Bushing (front) Oil
		Packing (wick)
200502B	11151	Arm Shaft Bushing (front) Oil
		Packing Thumb Screw
200338C	11151	Arm Shaft Bushing (front) Set
		Screw
235003	15127	Arm Shaft Connection Belt
224104	15127	" " " " Pulley
		with 200327C, 200602E and two
		202253
200602E	15126	Arm Shaft Connection Belt Pulley
		Position Screw
200327C	15126	Arm Shaft Connection Pulley Set
		Screw
202253	15126	Arm Shaft Connection Belt Pulley
		Spring Flange
235004	15127	Arm Shaft Connection Belt Timing
		Plate
200164B	15126	Arm Shaft Connection Timing
		Plate Screw (2)
203100	---	Arm Shaft Oil Packing (wick)
200357E	15126	" " " " Stop Screw ..
235806	15128	Balance Wheel (belt groove 2½ in.
		diam.) with 200328C and 200335C
200328C	15126	Balance Wheel Position Screw ...
200335C	15126	" " Set Screw
*235006	---	Bed (cylinder)
239003	15128	" " End Cover
213312	---	" Base (4 in. high)
203184	15126	" Clamp
200262H	15126	" " Hinge Screw
202622	11151	" " Packing Washer
200728B	15126	" " Thumb Screw
203185	15126	" " Washer
202618	15128	" Hinge
200030H	15126	" " Screw (6)
213335	15127	" Slide (back)
235007	15127	" " Clamp Plate (back)
239005	15127	" " " " (front)
200582H	11151	" " " " Screw (4) ...

Parts for Machine No. 45w51

No.	Plate	Name
203470	15130	Bobbin (2)
*203520	---	" Case
203648	15130	" " Latch
*202056	---	" " " Pin
203473	15130	" " " Plunger
203474	15130	" " " Spring
235067	15130	" " Lever
*203476	---	" " " Eccentric
204243	15130	" " " " Position
		Pin
203576	15130	Bobbin Case Lever Fulcrum (left)
		with 203579
203577	15130	Bobbin Case Lever Fulcrum (right)
		with 203579
200110D	15130	Bobbin Case Lever Fulcrum Screw
203578	15130	" " " Slide
203579	15130	" " " Stud
203214	15130	" " Tension Spring
200984C	11151	" " " " Regulat-
		ing Screw
200594C	15130	Bobbin Case Tension Spring Screw
203216	---	" " Washer (cloth)
203521	15130	Bobbin Case complete, Nos. 200594C,
		200984C, 202056, 203214, 203216,
		203473, 203474, 203520 and 203648
239007	15126	Cylinder End Cover Rest
200110D	15130	" " " " Screw ..
235008	15141	Face Plate
202135	15126	" " Position Pin
200462B	15126	" " Thumb Screw
213295	15131	Feed Bar with 200544E and 213610
213298	15131	" " Connecting Link with
		two 200072C
200072C	11151	Feed Bar Connecting Link Pinch
		Screw
200935E	11151	Feed Bar Connecting Link Screw
		Stud
201531E	15131	Feed Bar Connecting Link Screw
		Stud Nut
213610	11151	Feed Bar Connecting Link Stud ..
212519	15140	" Dog
200544E	15131	" " Screw
350149E	15131	" " " for use with Plat-
		form Throat Plates
221163	15131	Feed Dog Stop Washer, for use
		with Platform Throat Plates ...
235082	15127	Feed Driving Eccentric Regulating
		Bracket

No.	Plate	Name
235009	-----	Feed Driving Eccentric Regulating Bracket 235082 with 224108, two each 200256D and 201525E
224108	15127	Feed Driving Eccentric Regulating Bracket Flange with 200383c and 200437c
200437c	15131	Feed Driving Eccentric Regulating Bracket Flange Position Screw ..
200383c	15131	Feed Driving Eccentric Regulating Bracket Flange Set Screw
200256D	15131	Feed Driving Eccentric Regulating Bracket Hinge Screw
201525E	11151	Feed Driving Eccentric Regulating Bracket Hinge Screw Nut
202301	15131	Feed Driving Eccentric Regulating Bracket Plunger
202595	15131	Feed Driving Eccentric Regulating Bracket Plunger Spring
200607c	15131	Feed Driving Eccentric Regulating Bracket Plunger Spring Stop Screw
200256D	15131	Feed Driving Eccentric Regulating Bracket Stop Screw
201525E	11151	Feed Driving Eccentric Regulating Bracket Stop Screw Nut
200429c	15131	Feed Driving Eccentric Regulating Screw
200383c	15131	Feed Driving Eccentric Regulating Screw Check Screw
235011	15141	Feed Driving Rock Shaft
235080	15131	" " " " Bearing
235081	15131	" " " " " Bracket
201520c	15131	Feed Driving Rock Shaft Bearing Nut
208636	15131	Feed Driving Rock Shaft Bearing Washer
235066	15129	Feed Driving Rock Shaft Bushing
200346c	15131	" " " " " Set Screw
203244	11151	Feed Driving Rock Shaft Collar with two 200393c
200393c	11151	Feed Driving Rock Shaft Collar Set Screw
235086	15141	Feed Driving Rock Shaft Connection with 200054E and 202277 ...
200919c	15131	Feed Driving Rock Shaft Connection Hinge Screw
201522E	11151	Feed Driving Rock Shaft Connection Hinge Screw Nut

No.	Plate	Name
202277	-----	Feed Driving Rock Shaft Connection Oil Packing (wick)
200054E	11151	Feed Driving Rock Shaft Connection Pinch Screw
210559	15131	Feed Driving Rock Shaft Connection Stop Collar with two 200378c
200378c	15131	Feed Driving Rock Shaft Connection Stop Collar Set Screw
235083	15131	Feed Driving Rock Shaft Crank with 200038c
200038c	11151	Feed Driving Rock Shaft Crank Pinch Screw
213296	15131	Feed Lifting Cam with 200392c and 200447c
200447c	11151	Feed Lifting Cam Position Screw
213748	15131	" " " Retainer
200583H	11151	" " " " " Screw ..
200392c	15131	" " " " " Set Screw
235084	15129	" " " " " Regulating Spindle with 202443, 202619 and 235085
*235085	---	Feed Regulating Spindle Head
202443	15131	" " " " " Pin..
202619	15131	" " " " " Position Pin
235012	15141	Foot Lifter Lifting Lever
200262H	15126	" " " " " Hinge Screw
221146	15132	Foot Lifter Lifting Lever Spring
200835D	15132	" " " " " " Screw
*203482	---	Hook (sewing)
233853	15132	" 203482 with 201253E, 201376E and 241604
235014	---	Hook and Bobbin Case complete, Nos. 203521 and 233853
203596	15132	Hook Bevel Gear Socket, 18 teeth
203602	15132	" " " " " Bushing (right)
200446c	15132	Hook Bevel Gear Socket Bushing Position Screw
200556H	15132	Hook Bevel Gear Socket Screw ..
213319	15132	" " " " " Pinion with two 201418C (2)
201418c	15132	Hook Bevel Pinion Set Screw
235015	15129	" " " " " Driving Counter Shaft
235016	15129	" " " " " Bushing (back)
200346c	15131	Hook Driving Counter Shaft Bushing (back) Set Screw

No.	Plate	Name
235017	15129	Hook Driving Counter Shaft Bushing (front)
200346c	15131	Hook Driving Counter Shaft Bushing (front) Set Screw
235018	15132	Hook Driving Counter Shaft Gear with 200382c and 200398c
200398c	15132	Hook Driving Counter Shaft Gear Position Screw
200382c	11151	Hook Driving Counter Shaft Gear Set Screw
235019	15132	Hook Driving Counter Shaft Oil Tube (brass)
235020	15129	Hook Driving Shaft
235021	15129	" " " Bushing
200346c	15131	" " " " Set Screw
203244	11151	" " " Collar with two 200393c
200393c	11151	Hook Driving Shaft Collar Set Screw
235064	15129	Hook Driving Shaft Connection Belt Pulley with 202253 and two 201254c
201254c	15132	Hook Driving Shaft Connection Belt Pulley Set Screw
202253	15126	Hook Driving Shaft Connection Belt Pulley Spring Flange
235018	15132	Hook Driving Shaft Gear with 200382c and 200398c
200398c	15132	Hook Driving Shaft Gear Position Screw
200382c	11151	Hook Driving Shaft Gear Set Screw
241604	15132	" Gib
201376f	15132	" " Hinge Screw
201253f	15132	" " Screw
203603	15129	" Saddle (left) with 200110d and 202299
203588	15129	Hook Saddle (right) with 200446c, 202299 and two 200110d
235023	---	Hook Saddle (left) complete, Nos. 200556h, 203576, 203578, 203596, 203603, 213018, 235014 and 235067
235024	---	Hook Saddle (right) complete, Nos. 200556h, 203577, 203578, 203588, 203596, 203602, 213018, 235014, 235067 and 239007
235025	---	Hook Saddle Combination (left and right) complete, Nos. 235023 and 235024

No.	Plate	Name
202299	---	Hook Saddle Oil Packing (wick) ..
200541f	15132	" " Screw (short) (3) ...
350259e	15132	" " " (long)
225837	11151	" " " Washer (4)
213018	15132	" Washer with 203476 and two 204243
235026	15133	Needle Bar and Holder, needles $\frac{3}{32}$ in. apart and must be set diagonally, for gauges $\frac{1}{32}$, $\frac{3}{64}$ and $\frac{1}{16}$ in., with two 200141f
235027	15133	Needle Bar Bushing
350164c	15133	" " " Set Screw
239041	15133	" " Connecting Link
239042	15133	" " " " Oil Guard
200161d	15133	Needle Bar Connecting Link Oil Guard Screw
202333	15133	Needle Bar Connecting Link Stud with 202254
202254	---	Needle Bar Connecting Link Stud Oil Packing (wick)
200374c	15133	Needle Bar Connecting Link Stud Set Screw
200383c	15131	Needle Bar Connecting Link Stud Set Screw
*206891	---	Needle Bar Connecting Stud
202329	15133	" " " " 206891 with 200086c and 202330
202330	---	Needle Bar Connecting Stud Oil Packing (wick)
200086c	15133	Needle Bar Connecting Stud Pinch Screw
202692	15129	Needle Bar Crank with 200335c, 200374c, 200383c, 200428c and 202333
203172	15133	Needle Bar Crank Friction Washer
200428c	15133	" " " Position Screw ..
200335c	15126	" " " Set Screw
200141f	15133	" Set Screw
235029	15133	Presser Bar Bushing
200352c	11151	" " " Set Screw ...
202554	15133	" " Lifter
200653c	15133	" " Hinge Screw ...
235030	15134	" " Lifting Releasing Lever Bracket
200260d	15134	Presser Bar Lifting Releasing Lever Bracket Guide Screw
202342	15134	Presser Bar Lifting Releasing Lever Bracket Spring (spiral)

No.	Plate	Name
101337	15134	Presser Bar Position Guide
202338	15134	“ “ “ “ Lever with 200086F
200086F	15133	Presser Bar Position Guide Lever Pinch Screw
200338c	11151	Presser Bar Position Guide Set Screw
202378	15134	Presser Bar Spring (heavy)
234044	15134	“ “ “ Stop Rod
200492B	15134	“ “ Thumb Screw (pres- sure regulating)
200475B	15134	Presser Bar Thumb Screw Thumb Set Screw
202355	15134	Presser Bar Thumb Screw Thumb Set Screw Packing (brass)
201928	15135	Roller Presser, 1 $\frac{1}{4}$ in. diam., $\frac{3}{8}$ in. face (fine)
201929	—	Roller Presser 201928 with 1528A, 1766c, 50553c and twenty-four 16232
203426	15135	Roller Presser Arm
203427	—	“ “ “ 203426 with 201929
229341	14307	Roller Presser Arm Bracket (swing)
203729	—	Roller Presser Arm Bracket (swing) 229341 with 200096D, 201071F, 203427 and 229325
200675F	15135	Roller Presser Arm Bracket Posi- tion Screw Stud
202558	15135	Roller Presser Arm Bracket Spring
229370	15135	“ “ “ “ “ Stop and Back Needle Guard Holder
229371	—	Roller Presser Arm Bracket Spring Stop and Back Needle Guard Holder 229370 with 200350H, 201317F and 226220
200350H	15135	Roller Presser Arm Bracket Spring Stop and Back Needle Guard Holder Adjusting Screw
200141F	15133	Roller Presser Arm Bracket Spring Stop Screw
200096D	15135	Roller Presser Arm Screw
16232	—	“ “ Ball, $\frac{3}{8}$ in. diameter
1766c	15135	“ “ “ Cone
202557	15129	“ “ Bar (hollow, 8 $\frac{1}{2}$ in. long)

No.	Plate	Name
50553c	15135	Roller Presser Hinge Screw
1528A	15135	“ “ “ “ Nut ...
229328	15135	“ “ Needle Guard (back), in gauges $\frac{1}{2}$, $\frac{3}{4}$ and $\frac{1}{8}$ in.
201317F	15135	Roller Presser Needle Guard (back) Clamp Screw
226220	14307	Roller Presser Needle Guard (back) Clamp Screw Washer
229325	15135	Roller Presser Needle Guard (front), in gauges $\frac{1}{2}$, $\frac{3}{4}$ and $\frac{1}{8}$ inch
201071F	15135	Roller Presser Needle Guard (front) Screw
233956	—	Roller Presser and Bar complete, in gauges $\frac{1}{2}$, $\frac{3}{4}$ and $\frac{1}{8}$ in., Nos. 200675F, 202557, 202558, 203729, 229328, 229371 and two 200141F..
235031	15136	Take-up Lever
202399	15136	“ “ Driving Stud with 202277
202277	—	Take-up Lever Driving Stud Oil Packing (wick)
202400	15136	Take-up Lever Hinge Stud with 202423
202423	—	Take-up Lever Hinge Stud Oil Packing (wick)
200383c	15131	Take-up Lever Hinge Stud Set Screw
202401	—	Take-up Lever Oiling Felt
200132F	15137	“ “ “ “ Screw ..
235032	15136	Tension Bracket with two each 200397H, 201224B and 236060
200159F	14307	Tension Bracket Screw
234047	15136	“ “ “ Socket
200368H	15136	“ “ “ “ Set Screw
235033	—	Tension Bracket complete, Nos. 200174H, 200978H, 201199F, 235032, 235034 to 235036, 236098, two each 200309F, 202407, 204059, 204271, 223704, three 201572B and four 244007
236098	15136	Tension Bracket Thread Guide (double)
200174H	15136	Tension Bracket Thread Guide Screw

No.	Plate	Name
244007	15136	Tension Disc
236060	15136	" " Position Pin
235034	15136	" Release Lever
234049	15136	" " " Rod
200309E	15136	" " " Screw
223704	15136	" " Plunger
204271	15136	" " Washer
202407	15136	" Spring
201224B	15136	" Stud
201572B	15136	" Thumb Nut
235035	15137	Thread Controller Disc
200978H	15137	" " " Screw
235036	15137	" " Spring
235037	15137	" " " Stop
200132E	15137	" " " " Screw
201199F	15137	" " Stud with 204925
200061C	15137	" " " Set Screw
201572B	15136	" " " Thumb Nut
204925	15137	" " " Washer
224028	15137	" Guide
202684	15137	" "
200366H	15137	" " Set Screw
204329	-----	" Oiler (felt)
233638	15137	" " Bracket with 204329
200132E	15137	" " " Screw
202091	15137	" Retainer Sleeve
202092	15137	" " Spring (spiral)
204058	15137	" " Stud
200397H	11151	" " " Set Screw
204059	-----	Thread Retainer complete, Nos. 202091, 202092 and 204058
210956	15137	Thread Retainer Bracket (left) with 200397H
223710	15137	Thread Retainer Bracket (right) with 200397H
235068	15137	Thread Retainer Bracket Plate with 202108
202108	15137	Thread Retainer Bracket Plate Position Pin
350238D	15137	Thread Retainer Bracket Plate Screw
200583H	11151	Thread Retainer Bracket Screw
210993	15137	" " Sleeve
223844	15137	" " Spring
210957	15137	" " Stud
210958	15137	" " " Collar
200397H	11151	" " " Set Screw
210959	-----	Thread Retainer (lower, left) complete, Nos. 210956 to 210958, 210993 and 223844

No.	Plate	Name
223711	-----	Thread Retainer (lower, right) complete, Nos. 210957, 210958, 210993, 223710 and 223844
235069	-----	Thread Retainer and Plate complete, Nos. 210959, 223711, 235068 and four 200583H
235038	15139	Throat Plate, 53 elongated needle hole, needles $\frac{3}{32}$ in. apart, for needle sizes 14 and 15, in gauges $\frac{1}{16}$, $\frac{3}{32}$, $\frac{3}{16}$ and $\frac{1}{8}$ inch
200577H	15137	Throat Plate Screw

LIST OF PARTS COMPLETE
FOR
MACHINE No. 45w52

HIGH SPEED. LEFT HAND. DROP FEED. ROLLER
 PRESSER. CYLINDER BED

For Shoes and Gloves

In gauges from $\frac{3}{16}$ to $\frac{1}{4}$ inch

No.	Plate	Name
*235001	—	Arm with 202135
224002	15127	" Cap
200278H	15126	" " Screw
202248	11151	" " Washer
204235	15126	" Position Pin (2)
200010E	15126	" Screw (3)
202005	11151	" " Washer (3)
235002	15128	" Shaft with 200357E and 203100
237748	15127	" " Bushing (back) with
		202299
202299	—	Arm Shaft Bushing (back) Oil
		Packing (wick)
200071E	15126	Arm Shaft Bushing (back) Screw
		(3)
239062	15127	Arm Shaft Bushing (front) with
		202244
202244	—	Arm Shaft Bushing (front) Oil
		Packing (wick)
200502B	11151	Arm Shaft Bushing (front) Oil
		Packing Thumb Screw
200338C	11151	Arm Shaft Bushing (front) Set
		Screw
235003	15127	Arm Shaft Connection Belt
224104	15127	" " " " Pulley
		with 200327C, 200602E and two
		202253
200602E	15126	Arm Shaft Connection Belt Pulley
		Position Screw
200327C	15126	Arm Shaft Connection Belt Pulley
		Set Screw
202253	15126	Arm Shaft Connection Belt Pulley
		Spring Flange

No.	Plate	Name
235004	15127	Arm Shaft Connection Belt Timing
		Plate
200164B	15126	Arm Shaft Connection Belt Timing
		Plate Screw (2)
203100	—	Arm Shaft Oil Packing (wick)
200357E	15126	" " " " Stop Screw
235806	15128	Balance Wheel (belt groove $2\frac{1}{2}$ in.
		diam.) with 200328C and 200335C
200328C	15126	Balance Wheel Position Screw
200335C	15126	" " Set Screw
*235006	—	Bed (cylinder)
239003	15128	" " End Cover
213312	—	" Base (4 in. high)
203184	15126	" Clamp
200262H	15126	" " Hinge Screw
202622	11151	" " Packing Washer
200728B	15126	" " Thumb Screw
203185	15126	" " Washer
202618	15128	" Hinge
200030H	15126	" " Screw (6)
213335	15127	" Slide (back)
235007	15127	" " Clamp Plate (back)
239005	15127	" " " " (front)
200582H	11151	" " " " Screw (4)
203470	15130	Bobbin (2)
*203520	—	" Case
203648	15130	" " Latch
*202056	—	" " " Pin
203473	15130	" " " Plunger
203474	15130	" " " Spring
235067	15130	" " Lever
*203476	—	" " " Eccentric
204243	15130	" " " Position Pin
203576	15130	" " " Fulcrum (left)
		with 203579
203577	15130	Bobbin Case Lever Fulcrum (right)
		with 203579
200110B	15130	Bobbin Case Lever Fulcrum Screw
203578	15130	" " " Slide
203579	15130	" " " Stud
203214	15130	" " Tension Spring
200984C	11151	" " " " Regulat-
		ing Screw
200594C	15130	Bobbin Case Tension Spring Screw
203216	—	" " Washer (cloth)
203521	15130	Bobbin Case complete, Nos. 200594C,
		200984C, 202056, 203214, 203216,
		203473, 203474, 203520 and 203648
239007	15126	Cylinder End Cover Rest
200110B	15130	" " " " Screw ..

No.	Plate	Name
235008	15141	Face Plate
202135	15126	" " Position Pin
200462B	15126	" " Thumb Screw
213295	15131	Feed Bar with 200544E and 213610..
213298	15131	" " Connecting Link with two 200072c
200072c	11151	Feed Bar Connecting Link Pinch Screw
200935F	11151	Feed Bar Connecting Link Screw Stud
201531E	15131	Feed Bar Connecting Link Screw Stud Nut
213610	11151	Feed Bar Connecting Link Stud ..
212523	15140	" Dog, for 235050
212526	15140	" " " 235052
212547	15140	" " " 235055
212550	15140	" " " 235059
212552	15140	" " " 235061
212554	15140	" " " 235063
200544E	15131	" " Screw
350149E	15131	" " " for use with Plat- form Throat Plates
221163	15131	Feed Dog Stop Washer, for use with Platform Throat Plates ...
235082	15127	Feed Driving Eccentric Regulating Bracket
235009	—	Feed Driving Eccentric Regulating Bracket 235082 with 224108, two each 200256D and 201525E
224108	15127	Feed Driving Eccentric Regulating Bracket Flange with 200383c and 200437c
200437c	15131	Feed Driving Eccentric Regulating Bracket Flange Position Screw..
200383c	15131	Feed Driving Eccentric Regulating Bracket Flange Set Screw
200256D	15131	Feed Driving Eccentric Regulating Bracket Hinge Screw
201525E	11151	Feed Driving Eccentric Regulating Bracket Hinge Screw Nut
202301	15131	Feed Driving Eccentric Regulating Bracket Plunger
202595	15131	Feed Driving Eccentric Regulating Bracket Plunger Spring
200607c	15131	Feed Driving Eccentric Regulating Bracket Plunger Spring Stop Screw
200256D	15131	Feed Driving Eccentric Regulating Bracket Stop Screw

No.	Plate	Name
201525E	11151	Feed Driving Eccentric Regulating Bracket Stop Screw Nut
200429c	15131	Feed Driving Eccentric Regulating Screw
200383c	15131	Feed Driving Eccentric Regulating Screw Check Screw
235011	15141	Feed Driving Rock Shaft
235080	15131	" " " " Bearing
235081	15131	" " " " " "
		Bracket
201520c	15131	Feed Driving Rock Shaft Bearing Nut
208636	15131	Feed Driving Rock Shaft Bearing Washer
235066	15129	Feed Driving Rock Shaft Bushing
200346c	15131	" " " " " "
		Set Screw
203244	11151	Feed Driving Rock Shaft Collar with two 200393c
200393c	11151	Feed Driving Rock Shaft Collar Set Screw
235086	15146	Feed Driving Rock Shaft Conne- ction with 200054E and 202277 ..
200919c	15131	Feed Driving Rock Shaft Conne- ction Hinge Screw
201522E	11151	Feed Driving Rock Shaft Conne- ction Hinge Screw Nut
202277	—	Feed Driving Rock Shaft Conne- ction Oil Packing (wick)
200054E	11151	Feed Driving Rock Shaft Conne- ction Pinch Screw
210559	15131	Feed Driving Rock Shaft Conne- ction Stop Collar with two 200378c
200378c	15131	Feed Driving Rock Shaft Conne- ction Stop Collar Set Screw
235083	15131	Feed Driving Rock Shaft Crank with 200038c
200038c	11151	Feed Driving Rock Shaft Crank Pinch Screw
213296	15131	Feed Lifting Cam with 200392c and 200447c
200447c	11151	Feed Lifting Cam Position Screw..
213748	15131	" " " Retainer
200583U	11151	" " " " Screw ...
200392c	15131	" " " Set Screw
235084	15129	" Regulating Spindle with 202443, 202619 and 235085
*235085	—	Feed Regulating Spindle Head ...
202443	15131	" " " " Pin

No.	Plate	Name
202619	15131	Feed Regulating Spindle Head Position Pin
235012	15141	Foot Lifter Lifting Lever
200262H	15126	" " " " Hinge Screw
221146	15132	Foot Lifter Lifting Lever Spring
200835D	15132	" " " " " Screw
*203482	---	Hook (sewing)
233853	15132	" 203482 with 201253E, 201376F and 241604
235014	---	Hook and Bobbin Case complete, Nos. 203521 and 233853
203596	15132	Hook Bevel Gear Socket, 18 teeth
203602	15132	" " " " Bushing (right)
200446C	15132	Hook Bevel Gear Socket Bushing Position Screw
200556H	15132	Hook Bevel Gear Socket Screw ...
213319	15132	" " Pinion with two 201418C (2)
201418C	15132	Hook Bevel Pinion Set Screw
235015	15129	" Driving Counter Shaft
235016	15129	" " " " Bushing (back)
200346C	15131	Hook Driving Counter Shaft Bushing (back) Set Screw
235017	15129	Hook Driving Counter Shaft Bushing (front)
200346C	15131	Hook Driving Counter Shaft Bushing (front) Set Screw
235018	15132	Hook Driving Counter Shaft Gear with 200382C and 200398C
200398C	15132	Hook Driving Counter Shaft Gear Position Screw
200382C	11151	Hook Driving Counter Shaft Gear Set Screw
235019	15132	Hook Driving Counter Shaft Oil Tube (brass)
235020	15129	Hook Driving Shaft
235021	15129	" " " Bushing
200346C	15131	" " " " Set Screw
203244	11151	" " " " Collar with two 200393C
200393C	11151	Hook Driving Shaft Collar Set Screw
235064	15129	Hook Driving Shaft Connection Belt Pulley with 202253 and two 201254C

No.	Plate	Name
201254C	15132	Hook Driving Shaft Connection Belt Pulley Set Screw
202253	15126	Hook Driving Shaft Connection Belt Pulley Spring Flange
235018	15132	Hook Driving Shaft Gear with 200382C and 200398C
200398C	15132	Hook Driving Shaft Gear Position Screw
200382C	11151	Hook Driving Shaft Gear Set Screw
241604	15132	" Gib
201376F	15132	" " Hinge Screw
201253F	15132	" " Screw
203603	15129	" Saddle (left) with 200110D and 202299
203588	15129	Hook Saddle (right) with 200446C, 202299 and two 200110D
235023	---	Hook Saddle (left) complete, Nos. 200556H, 203576, 203578, 203596, 203603, 213018, 235014 and 235067
235024	---	Hook Saddle (right) complete, Nos. 200556H, 203577, 203578, 203588, 203596, 203602, 213018, 235014, 235067 and 239007
235025	---	Hook Saddle Combination (left and right) complete, Nos. 235023 and 235024
202299	---	Hook Saddle Oil Packing (wick) ..
200541E	15132	" " Screw (short) (3)
350259C	15132	" " " (long)
225837	11151	" " " Washer (4)
213018	15132	" Washer with 203476 and two 204243
235043	15133	Needle Bar and Holder, in gauges from $\frac{3}{8}$ to $\frac{1}{4}$ in., in steps of $\frac{1}{32}$ in., with 200141F and 200389C
235027	15133	Needle Bar Bushing
350164C	15133	" " " Set Screw
239041	15133	" " Connecting Link
239042	15133	" " " " Oil Guard
200161D	15133	Needle Bar Connecting Link Oil Guard Screw
202333	15133	Needle Bar Connecting Link Stud with 202254
202254	---	Needle Bar Connecting Link Stud Oil Packing (wick)
200374C	15133	Needle Bar Connecting Link Stud Set Screw
200383C	15131	Needle Bar Connecting Link Stud Set Screw

No.	Plate	Name
*206891	---	Needle Bar Connecting Stud
202329	15133	" " " " 206891 with 200086c and 202330
202330	---	Needle Bar Connecting Stud Oil Packing (wick)
200086c	15133	Needle Bar Connecting Stud Pinch Screw
202692	15129	Needle Bar Crank with 200335c, 200374c, 200383c, 200428c and 202333
203172	15133	Needle Bar Crank Friction Washer
200428c	15133	" " " Position Screw ..
200335c	15126	" " " Set Screw
200141F	15133	" Set Screw (right)
200389c	15133	" " " (left)
235029	15133	Presser Bar Bushing
200352c	11151	" " Bushing Set Screw ..
202554	15133	" " Lifter
200653c	15133	" " Hinge Screw ...
235030	15134	" " Lifting Releasing Lev- er Bracket
200260D	15134	Presser Bar Lifting Releasing Lev- er Bracket Guide Screw
202342	15134	Presser Bar Lifting Releasing Lev- er Bracket Spring (spiral)
202337	15134	Presser Bar Position Guide
202338	15134	" " " " Lever with 200086F
200086F	15133	Presser Bar Position Guide Lever Pinch Screw
200338c	11151	Presser Bar Position Guide Set Screw
202378	15131	Presser Bar Spring (heavy)
234044	15134	" " " Stop Rod
200492B	15134	" " Thumb Screw (pres- sure regulating)
200475B	15134	Presser Bar Thumb Screw Thumb Set Screw
202355	15134	Presser Bar Thumb Screw Thumb Set Screw Packing (brass)
201928	15135	Roller Presser, 1½ in. diam., ⅜ in. face (fine)
201929	---	Roller Presser 201928 with 1528J, 1766c, 50553c and twenty-four 16232
203426	15135	Roller Presser Arm
203427	---	" " " 203426 with 201929

No.	Plate	Name
229341	14307	Roller Presser Arm Bracket (swing)
200675F	15135	" " " " Position Screw Stud
202558	15135	Roller Presser Arm Bracket Spring
229370	15135	" " " " " Stop and Back Needle Guard Holder
229371	---	Roller Presser Arm Bracket Spring Stop and Back Needle Guard Holder 229370 with 200350U, 201317F and 226220
200350U	15135	Roller Presser Arm Bracket Spring Stop and Back Needle Guard Holder Adjusting Screw
200141F	15133	Roller Presser Arm Bracket Spring Stop Screw
200082D	14307	Roller Presser Arm Screw, for gauges from ⅜ to ⅝ inch
200077D	14307	Roller Presser Arm Screw, for gauges ⅜ and ⅝ inch
200064D	14307	Roller Presser Arm Screw, for ¼ in. gauge
229744	14307	Roller Presser Arm Shim, ⅛ in. thick
229745	14307	Roller Presser Arm Shim, ⅜ in. thick
202760	14307	Roller Presser Arm Shim, ⅜ in. thick
16232	---	Roller Presser Ball, ⅜ in. diameter
1766c	15135	" " " Cone
202557	15129	" " Bar (hollow, 8½ in. long)
50553c	15135	Roller Presser Hinge Screw
1528J	15135	" " " " Nut ...
229330	15135	" " Needle Guard (back), in ⅜ in. gauge
229331	15135	Roller Presser Needle Guard (back), in ¼ in. gauge
229332	15135	Roller Presser Needle Guard (back), in ⅜ in. gauge
229347	15135	Roller Presser Needle Guard (back), in ⅜ in. gauge, with 350061F
229334	15135	Roller Presser Needle Guard (back), in ⅜ in. gauge, with 350061F
229335	15135	Roller Presser Needle Guard (back), in ¼ in. gauge, with 350061F

No.	Plate	Name
223710	15137	Thread Retainer Bracket (right) with 200397H
235068	15137	Thread Retainer Bracket Plate with 202108
202108	15137	Thread Retainer Bracket Plate Position Pin
350238D	15137	Thread Retainer Bracket Plate Screw
200583H	11151	Thread Retainer Bracket Screw ..
210993	15137	" " Sleeve
223844	15137	" " Spring
210957	15137	" " Stud
210958	15137	" " Collar
200397H	11151	" " " Set Screw
210959	—	Thread Retainer (lower, left) complete, Nos. 210956 to 210958, 210993 and 223844
223711	—	Thread Retainer (lower, right) complete, Nos. 210957, 210958, 210993, 223710 and 223844
235069	—	Thread Retainer and Plate complete, Nos. 210959, 223711, 235068 and four 200583H
235050	15138	Throat Plate, 50 needle hole, for needle sizes 14 and 15, in $\frac{3}{8}$ in. gauge, for 212523
235052	15138	Throat Plate, 50 needle hole, for needle sizes 14 and 15, in $\frac{1}{4}$ in. gauge, for 212526
235055	15138	Throat Plate, 50 needle hole, for needle sizes 14 and 15, in $\frac{5}{16}$ in. gauge, for 212547
235059	15138	Throat Plate, 50 needle hole, for needle sizes 14 and 15, in $\frac{3}{16}$ in. gauge, for 212550
235061	15138	Throat Plate, 50 needle hole, for needle sizes 14 and 15, in $\frac{7}{16}$ in. gauge, for 212552
235063	15138	Throat Plate, 50 needle hole, for needle sizes 14 and 15, in $\frac{1}{4}$ in. gauge, for 212554
200577H	15137	Throat Plate Screw

LIST OF PARTS COMPLETE

FOR

MACHINE No. 49w51

HIGH SPEED. LEFT HAND. DROP FEED. ROLLER

PRESSER. CYLINDER BED. HOOK AT

RIGHT OF NEEDLE

For Leather

No.	Plate	Name
*235001	—	Arm with 202135
235101	15141	" Cap
200278H	15126	" " Screw
202248	11151	" " " Washer
203089	15141	" " Spool Holder Base
203090	15141	" " " " " 203089 with 200079H and 204296
200585H	15142	Arm Cap Spool Holder Base Screw
204296	15141	" " " " Wire
200079H	15142	" " " " " Hinge Screw
235102	—	Arm Cap Spool Holder complete, Nos. 203090, 235101 and two 200585H
204235	15126	Arm Position Pin (2)
200010E	15126	" Screw (3)
202005	11151	" " Washer (3)
235002	15128	" Shaft with 200357E and 203100
237748	15127	" " Bushing (back) with 202299
202299	—	Arm Shaft Bushing (back) Oil Packing (wick)
200071E	15126	Arm Shaft Bushing (back) Screw (3)
239062	15127	Arm Shaft Bushing (front) with 202244
202244	—	Arm Shaft Bushing (front) Oil Packing (wick)
200502H	11151	Arm Shaft Bushing (front) Oil Packing Thumb Screw
200338C	11151	Arm Shaft Bushing (front) Set Screw

No.	Plate	Name
235003	15127	Arm Shaft Connection Belt
224104	15127	" " " " Pulley with 200327c, 200602E and two 202253
200602E	15126	Arm Shaft Connection Belt Pulley Position Screw
200327c	15126	Arm Shaft Connection Belt Pulley Set Screw
202253	15126	Arm Shaft Connection Belt Pulley Spring Flange
235004	15127	Arm Shaft Connection Belt Timing Plate
200164B	15126	Arm Shaft Connection Belt Timing Plate Screw (2)
203100	—	Arm Shaft Oil Packing (wick) ...
200357E	15126	" " " " Stop Screw ..
235806	15128	Balance Wheel (belt groove 2½ in. diam.) with 200328c and 200335c
200328c	15126	Balance Wheel Position Screw ...
200335c	15126	" " Set Screw
*238301	—	Bed (cylinder)
239003	15128	" " End Cover
213312	—	" Base (4 in. high)
203184	15126	" Clamp
200262H	15126	" " Hinge Screw
202622	11151	" " Packing Washer
200728B	15126	" " Thumb Screw
203185	15126	" " Washer
202618	15128	" Hinge
200030H	15126	" " Screw (6)
213335	15127	" Slide (back)
235007	15127	" " Clamp Plate (back)
239005	15127	" " " " (front)
200582H	11151	" " " " Screw (4) ..
203208	15130	Bobbin
238304	15130	" Case Base with 202056, 203211 to 203213 and 203216
203211	11151	Bobbin Case Base Latch
*202056	—	" " " " Pin
203212	11151	" " " " Plunger ..
203213	11151	" " " " Spring ..
238305	15130	Bobbin Case Cap with 200984c, 203214, 203215 and two 200594c ..
235067	15130	Bobbin Case Lever
*203476	—	" " " Eccentric
204243	15130	" " " " Position Pin
203577	15130	Bobbin Case Lever Fulcrum (right) with 203579

No.	Plate	Name
200110D	15130	Bobbin Case Lever Fulcrum Screw
203578	15130	" " " Slide
203579	15130	" " " " Stud
203214	15130	" " Tension Spring
200984c	11151	" " " " Regulat- ing Screw
200594c	15130	Bobbin Case Tension Spring Screw
203215	15130	" " Thread Guide
200594c	15130	" " " " Screw ..
238306	—	Bobbin Case complete, Nos. 238304 and 238305
239007	15126	Cylinder End Cover Rest
200110D	15130	" " " " Screw ..
235008	15141	Face Plate
202135	15126	" " Position Pin
200462B	15126	" " Thumb Screw
213295	15131	Feed Bar with 200544E and 213610
213298	15131	" " Connecting Link with two 200072c
200072c	11151	Feed Bar Connecting Link Pinch Screw
200935E	11151	Feed Bar Connecting Link Screw Stud
201531E	15131	Feed Bar Connecting Link Screw Stud Nut
213610	11151	Feed Bar Connecting Link Stud ..
212347	15140	" Dog
200544E	15131	" " Screw
350149E	15131	" " " for use with Plat- form Throat Plates
221163	15131	Feed Dog Stop Washer, for use with Platform Throat Plates ...
235082	15127	Feed Driving Eccentric Regulating Bracket
235009	—	Feed Driving Eccentric Regulating Bracket 235082 with 224108, two each 200256D and 201525E
224108	15127	Feed Driving Eccentric Regulating Bracket Flange with 200383c and 200437c
200437c	15131	Feed Driving Eccentric Regulating Bracket Flange Position Screw ..
200383c	15131	Feed Driving Eccentric Regulating Bracket Flange Set Screw
200256D	15131	Feed Driving Eccentric Regulating Bracket Hinge Screw
201525E	11151	Feed Driving Eccentric Regulating Bracket Hinge Screw Nut
202301	15131	Feed Driving Eccentric Regulating Bracket Plunger

No.	Plate	Name
202595	15131	Feed Driving Eccentric Regulating Bracket Plunger Spring
200607c	15131	Feed Driving Eccentric Regulating Bracket Plunger Spring Stop Screw
200256d	15131	Feed Driving Eccentric Regulating Bracket Stop Screw
201525e	11151	Feed Driving Eccentric Regulating Bracket Stop Screw Nut
200429c	15131	Feed Driving Eccentric Regulating Screw
200383c	15131	Feed Driving Eccentric Regulating Screw Check Screw
235011	15141	Feed Driving Rock Shaft
235080	15131	" " " " Bearing
235081	15131	" " " " " "
		Bracket
201520c	15131	Feed Driving Rock Shaft Bearing Nut
208636	15131	Feed Driving Rock Shaft Bearing Washer
235066	15129	Feed Driving Rock Shaft Bushing
200346c	15131	" " " " " "
		Set Screw
203244	11151	Feed Driving Rock Shaft Collar with two 200393c
200393c	11151	Feed Driving Rock Shaft Collar Set Screw
235086	15146	Feed Driving Rock Shaft Connection with 200054e and 202277 ...
200919c	15131	Feed Driving Rock Shaft Connection Hinge Screw
201522e	11151	Feed Driving Rock Shaft Connection Hinge Screw Nut
202277	---	Feed Driving Rock Shaft Connection Oil Packing (wick)
200054e	11151	Feed Driving Rock Shaft Connection Pinch Screw
210559	15131	Feed Driving Rock Shaft Connection Stop Collar with two 200378c
200378c	15131	Feed Driving Rock Shaft Connection Stop Collar Set Screw
235083	15131	Feed Driving Rock Shaft Crank with 200038c
200038c	11151	Feed Driving Rock Shaft Crank Pinch Screw
213296	15131	Feed Lifting Cam with 200392c and 200447c

No.	Plate	Name
200447c	11151	Feed Lifting Cam Position Screw ..
213748	15131	" " " Retainer
200583d	11151	" " " " Screw ...
200392c	15131	" " " Set Screw
235084	15129	" Regulating Spindle with 202443, 202619 and 235085
*235085	---	Feed Regulating Spindle Head ...
202443	15131	" " " " Pin
202619	15131	" " " " Position Pin
235012	15141	Foot Lifter Lifting Lever
200262d	15126	" " " " Hinge Screw
221146	15132	Foot Lifter Lifting Lever Spring
200835d	15132	" " " " " "
		Screw
*203482	---	Hook (sewing)
233853	15132	" 203482 with 201253e, 201376e and 241604
238307	---	Hook and Bobbin Case complete, Nos. 233853 and 238306
203596	15132	Hook Bevel Gear Socket, 18 teeth
203602	15132	" " " " Bushing (right)
200446c	15132	Hook Bevel Gear Socket Bushing Position Screw
200556d	15132	Hook Bevel Gear Socket Screw ..
213319	15132	" " Pinion with two 201418c
201418c	15132	" " " Set Screw
235015	15129	" Driving Counter Shaft
235016	15129	" " " " Bushing (back)
200346c	15131	Hook Driving Counter Shaft Bushing (back) Set Screw
235017	15129	Hook Driving Counter Shaft Bushing (front)
200346c	15131	Hook Driving Counter Shaft Bushing (front) Set Screw
235018	15132	Hook Driving Counter Shaft Gear with 200382c and 200398c
200398c	15132	Hook Driving Counter Shaft Gear Position Screw
200382c	11151	Hook Driving Counter Shaft Gear Set Screw
235019	15132	Hook Driving Counter Shaft Oil Tube (brass)
235020	15129	Hook Driving Shaft
235021	15129	" " " Bushing
200346c	15131	" " " " Set Screw

No.	Plate	Name
203244	11151	Hook Driving Shaft Collar with two 200393c
200393c	11151	Hook Driving Shaft Collar Set Screw
235064	15129	Hook Driving Shaft Connection Belt Pulley with 202253 and two 201254c
201254c	15132	Hook Driving Shaft Connection Belt Pulley Set Screw
202253	15126	Hook Driving Shaft Connection Belt Pulley Spring Flange
235018	15132	Hook Driving Shaft Gear with 200382c and 200398c
200398c	15132	Hook Driving Shaft Gear Position Screw
200382c	11151	Hook Driving Shaft Gear Set Screw
241604	15132	" Gib
201376F	15132	" " Hinge Screw
201253F	15132	" " Screw
203588	15129	" Saddle (right) with 200446c, 202299 and two 200110b
238308	----	Hook Saddle (right) complete, Nos. 200556u, 203577, 203578, 203588, 203596, 203602, 213018, 235067, 238307 and 239007
202299	----	Hook Saddle Oil Packing (wick) ..
200541E	15132	" " Screw (short)
350259E	15132	" " " (long)
225837	11151	" " " Washer (2)
213018	15132	" Washer with 203476 and two 204243
233625	15142	Needle Bar with 200125F, 200175D and 204250
233626	15142	Needle Bar Bushing
200352c	11151	" " " Set Screw
239041	15133	" " Connecting Link
239042	15133	" " " " Oil Guard
200161D	15133	Needle Bar Connecting Link Oil Guard Screw
202333	15133	Needle Bar Connecting Link Stud with 202254
202254	----	Needle Bar Connecting Link Stud Oil Packing (wick)
200374c	15133	Needle Bar Connecting Link Stud Set Screw
200383c	15131	Needle Bar Connecting Link Stud Set Screw
223688	15142	Needle Bar Connecting Stud with 200072c and 202330

No.	Plate	Name
202330	----	Needle Bar Connecting Stud Oil Packing (wick)
200072c	11151	Needle Bar Connecting Stud Pinch Screw
202692	15129	Needle Bar Crank with 200335c, 200374c, 200383c, 200428c and 202333
203172	15133	Needle Bar Crank Friction Washer
200428c	15133	" " " Position Screw ..
200335c	15126	" " " Set Screw
204250	15142	" " Thread Guide
200175D	15142	" " " " Screw ..
200125F	15142	" Set Screw
207072	15142	Presser Bar Bushing
200352c	11151	" " " Set Screw ...
202554	15133	" " Lifter
200653c	15133	" " " Hinge Screw ...
235030	15134	" " Lifting Releasing Lever Bracket
200260D	15134	Presser Bar Lifting Releasing Lever Bracket Guide Screw
202342	15134	Presser Bar Lifting Releasing Lever Bracket Spring (spiral)
202337	15134	Presser Bar Position Guide
202338	15134	" " " " Lever with 200086F
200086F	15133	Presser Bar Position Guide Lever Pinch Screw
200338c	11151	Presser Bar Position Guide Set Screw
202378	15131	Presser Bar Spring (heavy)
234044	15134	" " " Stop Rod
200492B	15134	" " Thumb Screw (pressure regulating)
200475B	15134	Presser Bar Thumb Screw Thumb Set Screw
202355	15134	Presser Bar Thumb Screw Thumb Set Screw Packing (brass)
201928	15135	Roller Presser, 1½ in. diam., ⅜ in. face (fine)
201929	----	Roller Presser 201928 with 1528r, 1766c, 50553c and twenty-four 16232
203426	15135	Roller Presser Arm
203427	----	" " " 203426 with 201929
202560	15142	Roller Presser Arm Bracket (swing)
203428	----	Roller Presser Arm Bracket 202560 with 200096D and 203427

No.	Plate	Name
200675F	15135	Roller Presser Arm Bracket Position Screw Stud
202558	15135	Roller Presser Arm Bracket Spring
202559	15142	" " " " " " Stop
200141F	15133	Roller Presser Arm Bracket Spring Stop Screw
200096D	15135	Roller Presser Arm Screw
16232	---	" " Ball, $\frac{3}{8}$ in. diameter
1766C	15135	" " " Cone
202557	15129	" " Bar (hollow, $8\frac{1}{2}$ in. long)
50553C	15135	Roller Presser Hinge Screw
1528J	15135	" " " " Nut ..
207078	----	Roller Presser and Bar complete, Nos. 200675F, 202557 to 202559, 203428 and two 200141F
238303	15142	Take-up Lever
202399	15136	" " Driving Stud with 202277
202277	---	Take-up Lever Driving Stud Oil Packing (wick)
202400	15136	Take-up Lever Hinge Stud with 202423
202423	---	Take-up Lever Hinge Stud Oil Packing (wick)
200383C	15131	Take-up Lever Hinge Stud Set Screw
202401	---	Take-up Lever Oiling Felt
200132E	15137	" " " " Screw ..
235106	15142	Tension Bracket with 200397U, 201224B and 236060
200159F	14307	Tension Bracket Screw
234047	15136	" " " Socket
200368H	15136	" " " " Set Screw
235107	----	Tension Bracket complete, Nos. 200174U, 200978U, 201199E, 202407, 204059, 204271, 223704, 235034 to 235036, 235106, 236097, two each 200309E, 201572B and 244007
236097	15142	Tension Bracket Thread Guide (single)
200174U	15136	Tension Bracket Thread Guide Screw
244007	15136	Tension Disc
236060	15136	" " Position Pin
235034	15136	" Release Lever
234049	15136	" " " Rod
200309E	15136	" " " Screw

No.	Plate	Name
223704	15136	Tension Release Plunger
204271	15136	" " Washer
202407	15136	" Spring
201224B	15136	" Stud
201572B	15136	" Thumb Nut
235035	15137	Thread Controller Disc
200978U	15137	" " " Screw
235036	15137	" " Spring
235037	15137	" " " Stop
200132E	15137	" " " " Screw ..
201199E	15137	" " Stud with 204925 ..
200061C	15137	" " " Set Screw ..
201572B	15136	" " " Thumb Nut ..
204925	15137	" " " Washer
202412	15142	" Guide
202684	15137	" "
202417	15142	" "
200355U	15142	" " Set Screw
200366H	15137	" " " "
204329	---	" Oiler (felt)
233638	15137	" " Bracket with 204329 ..
200132E	15137	" " " Screw
202091	15137	" Retainer Sleeve
202092	15137	" " Spring (spiral)
204058	15137	" " Stud
200397U	11151	" " " Set Screw
204059	---	Thread Retainer complete, Nos. 202091, 202092 and 204058
238302	15139	Throat Plate, 50 needle hole, for needle sizes 14 and 15
200577U	15137	Throat Plate Screw

ACCESSORIES

FOR MACHINES NOS 45w51 and 45w52

No.	Plate	Name
203470	15130	Bobbin (10)
*225482	-----	" Case Screw Driver Blade, for 225497
*225483	-----	Bobbin Case Screw Driver Handle, for 225497
225497	11156	Bobbin Case Screw Driver com- plete, Nos. 225482 and 225483 ...
4822	15143	Roller Presser Hinge Screw Nut Wrench
204033	15143	Wrench
128 x 4	-----	Needles, four each, sizes 11, 12 and 13
227104	-----	Drip Pan (cast iron, square) with one wood screw 1½ in., No. 14, R.H.B.
41401	11156	Machine Rest Pin (wood)
120342	11156	Oiler with 120343
120343	11156	" Spout, 3½ in. long
*225484	-----	Screw Driver Blade, for 225498 ...
*225485	-----	" " Handle, for 225498 ...
225498	11156	Screw Driver complete (7¼ in. long), Nos. 225484 and 225485 ..
225554	11156	Wrench (steel)

BOBBIN WINDER

Swing Automatic, Left Hand

227149	11157	Bobbin Winder Base
227209	11157	" " Frame with 200125F
227152	10558	" " " Hinge Pin ...
227153	10558	" " " Spring
200125F	15142	" " " Stop Screw ...
227154	11157	" " " Pulley (large) with 200380c
200380c	15143	Bobbin Winder Pulley Set Screw ..
227156	10558	" " Spindle
227157	11157	" " Stop Latch
227159	10558	" " " Hinge Pin
227160	10558	" " " Spring ..

No.	Plate	Name
227048	11157	Bobbin Winder complete (large pulley), Nos. 227149, 227152 to 227154, 227156, 227157, 227159, 227160, 227209 and two round head wood screws ¾ in., No. 12
202480	11157	Bobbin Winder Spool Holder Base with 200355n and 202484
202481	11157	Bobbin Winder Spool Holder Base Spool Pin
202482	15143	Bobbin Winder Spool Holder Ten- sion Disc (lower or upper)
200011b	15143	Bobbin Winder Spool Holder Ten- sion Disc Screw
200355n	15142	Bobbin Winder Spool Holder Ten- sion Disc Screw Set Screw
202483	15143	Bobbin Winder Spool Holder Ten- sion Disc Spring (brass)
202484	15143	Bobbin Winder Spool Holder Ten- sion Disc Thread Guide
202485	11157	Bobbin Winder Spool Holder com- plete, Nos. 200011b, 202480, 202481, 202483, two 202482 and one wood screw 1 in., No. 13
227514	-----	Bobbin Winder and Spool Holder complete, Nos. 202485 and 227048

FOOT LIFTER

227952	11156	Foot Lifter Lever with 227954
227678	11156	" " " Chain, 48 in. long, with 202784
227954	15143	Foot Lifter Lever Chain Hook (lower)
202784	15143	Foot Lifter Lever Chain Hook (upper)
225016	15143	Foot Lifter Lever Hinge Pin
227953	11156	" " " Stand with two wood screws 1 in., No. 12
227955	11156	Foot Lifter Lever complete, Nos. 225016, 227678, 227952 and 227953 (Other Foot Lifter parts are listed with parts of machine head.)

THREAD UNWINDER

225389	14083	Spool Rest (for one spool) with 201018c
225395	14083	Spool Rest (for two spools) with 201018c

No.	Plate	Name
225388	14083	Spool Rest Rod
200383c	15131	" " " Set Screw
201018c	15143	" " " Set Screw
202490	14083	" Stand with 200383c
225391	14083	Thread Guide
201696j	15143	" " Lock Nut
225392	14083	" " Rod with 208E and 225393
208E	15143	Thread Guide Rod Screw
225393	15143	" " " Washer
225397	14083	Thread Unwinder (for three spools) complete, Nos. 201696j, 202490, 225388, 225389, 225392, 225395, three each 225391 and wood screws $\frac{3}{4}$ in., No. 12

FOR MACHINE No. 49w51

Same as for Machine No. 45w51 with the following exceptions:

203208	15130	Bobbin (5), in place of ten 203470
202803	15143	Presser Foot
128 x4	—	Needles, two each, sizes 11, 12 and 13, in place of four each
		(225397 Thread Unwinder complete, not used.)

FEED DOGS

212347	15140	Feed Dog, for 238302
212519	15140	" " " 235038 to 235040
212520	15140	" " " 235038 to 235040
212523	15140	" " " 235050
212526	15140	" " " 235052
212540	15140	" " " 235051
212547	15140	" " " 235055
212550	15140	" " " 235059
212552	15140	" " " 235061
212554	15140	" " " 235063

THROAT PLATES

FOR MACHINE No. 45w51

No.	Plate	Name
235038	15139	Throat Plate, 53 elongated needle hole, needles $\frac{3}{8}$ in. apart, for needle sizes 14 and 15, in gauges $\frac{1}{4}$, $\frac{1}{8}$, $\frac{3}{16}$ and $\frac{1}{8}$ in., for 212519 and 212520
235039	15139	Throat Plate, 50 elongated needle hole, needles $\frac{3}{8}$ in. apart, for needle sizes 16 and 18, in gauges $\frac{1}{4}$, $\frac{1}{8}$, $\frac{3}{16}$ and $\frac{1}{8}$ in., for 212519 and 212520
235040	15139	Throat Plate, 53 elongated needle hole, needles $\frac{3}{8}$ in. apart, for needle sizes 14 and 15, in gauges $\frac{1}{4}$, $\frac{1}{8}$, $\frac{3}{16}$ and $\frac{1}{8}$ in., for 212519 and 212520

FOR MACHINE No. 45w52

235050	15138	Throat Plate, 50 needle hole, for needle sizes 14 and 15, in $\frac{3}{16}$ in. gauge, for 212523
235051	15139	Throat Plate, 50 needle hole, for needle sizes 14 and 15, in $\frac{3}{16}$ in. gauge, for 212540
235052	15138	Throat Plate, 50 needle hole, for needle sizes 14 and 15, in $\frac{1}{4}$ in. gauge, for 212526
235055	15138	Throat Plate, 50 needle hole, for needle sizes 14 and 15, in $\frac{3}{16}$ in. gauge, for 212547
235059	15138	Throat Plate, 50 needle hole, for needle sizes 14 and 15, in $\frac{3}{16}$ in. gauge, for 212550
235061	15138	Throat Plate, 50 needle hole, for needle sizes 14 and 15, in $\frac{3}{16}$ in. gauge, for 212552
235063	15138	Throat Plate, 50 needle hole, for needle sizes 14 and 15, in $\frac{1}{4}$ in. gauge, for 212554

FOR MACHINE No. 49w51

238302	15139	Throat Plate, 50 needle hole, for needle sizes 14 and 15, for 212347
--------	-------	---

MISCELLANEOUS PARTS

Parts used in connection with but not included
in Thread Unwinder 225397

No.	Plate	Name
60913	14083	Spool Weight with 60914
60914	—	“ “ Center Pin
225377	14083	“ Wire, for small spools
27739	—	Thread Cone (wood)

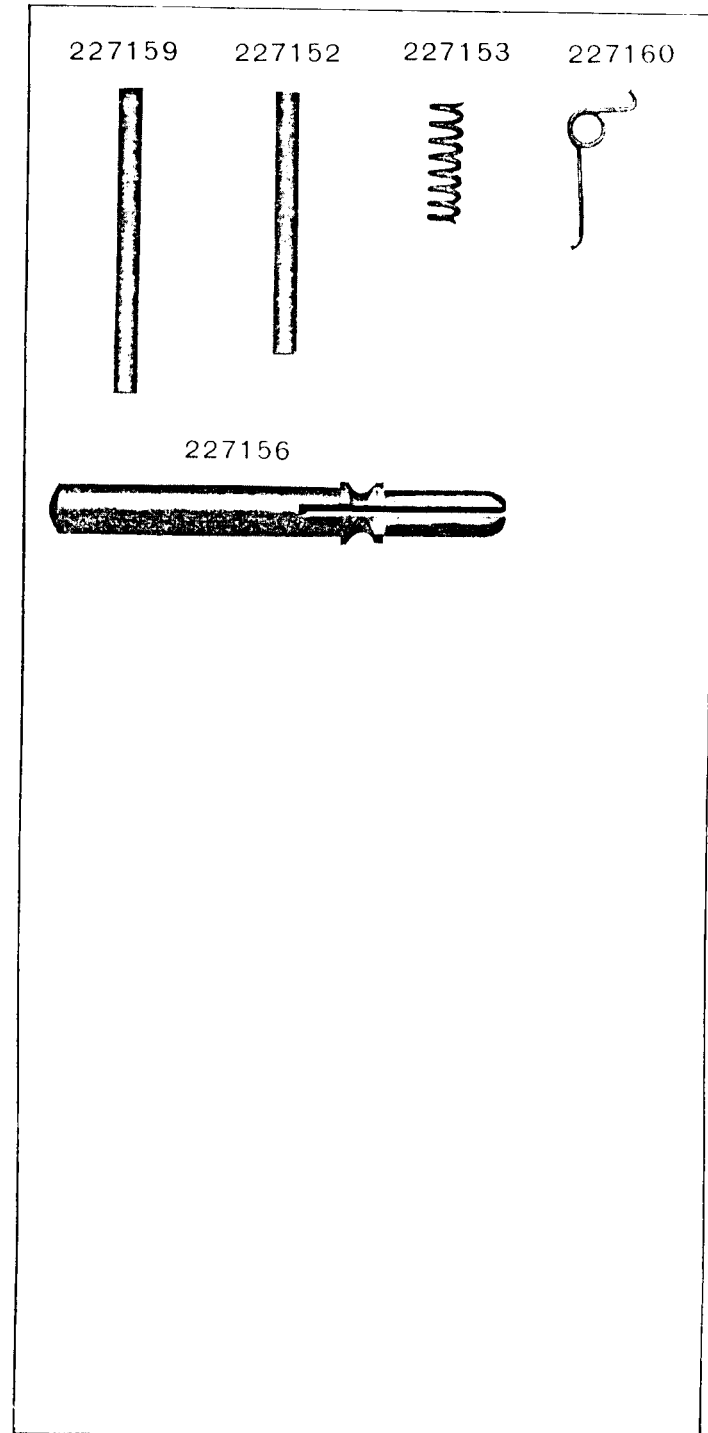


PLATE 11151 - FULL SIZE

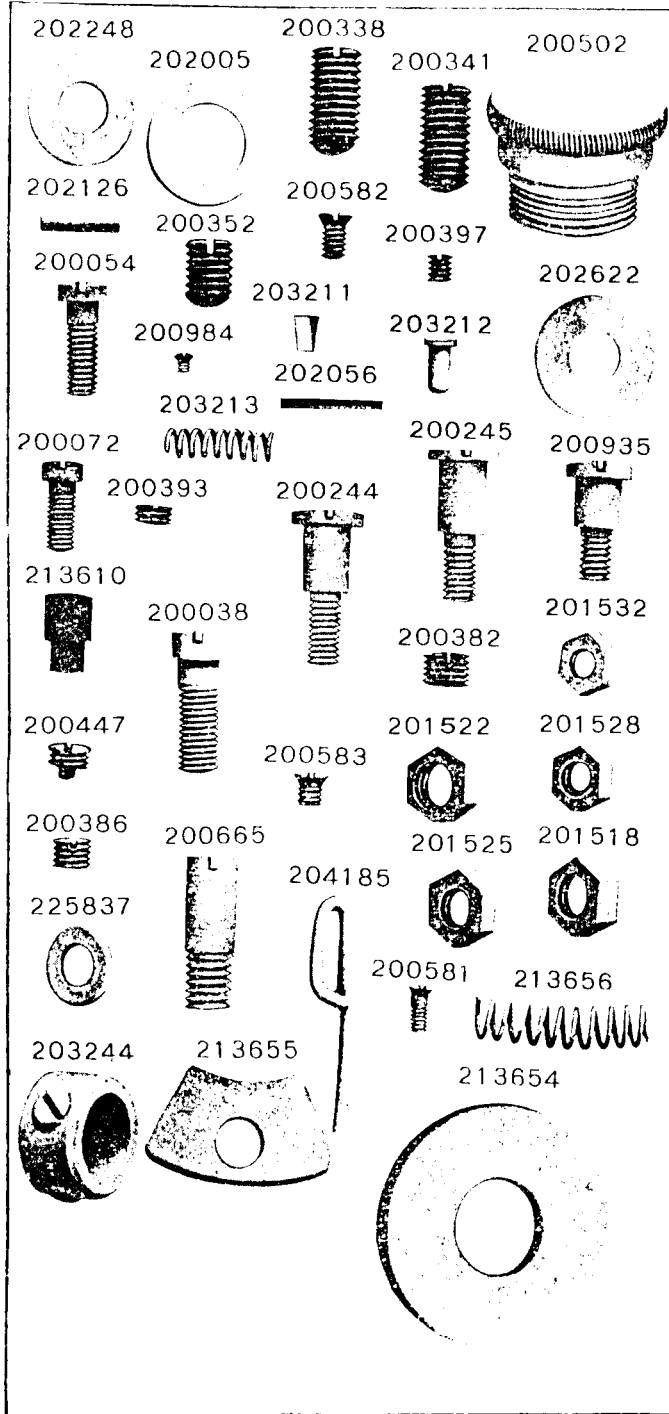


PLATE 11156 - ONE-FOURTH SIZE

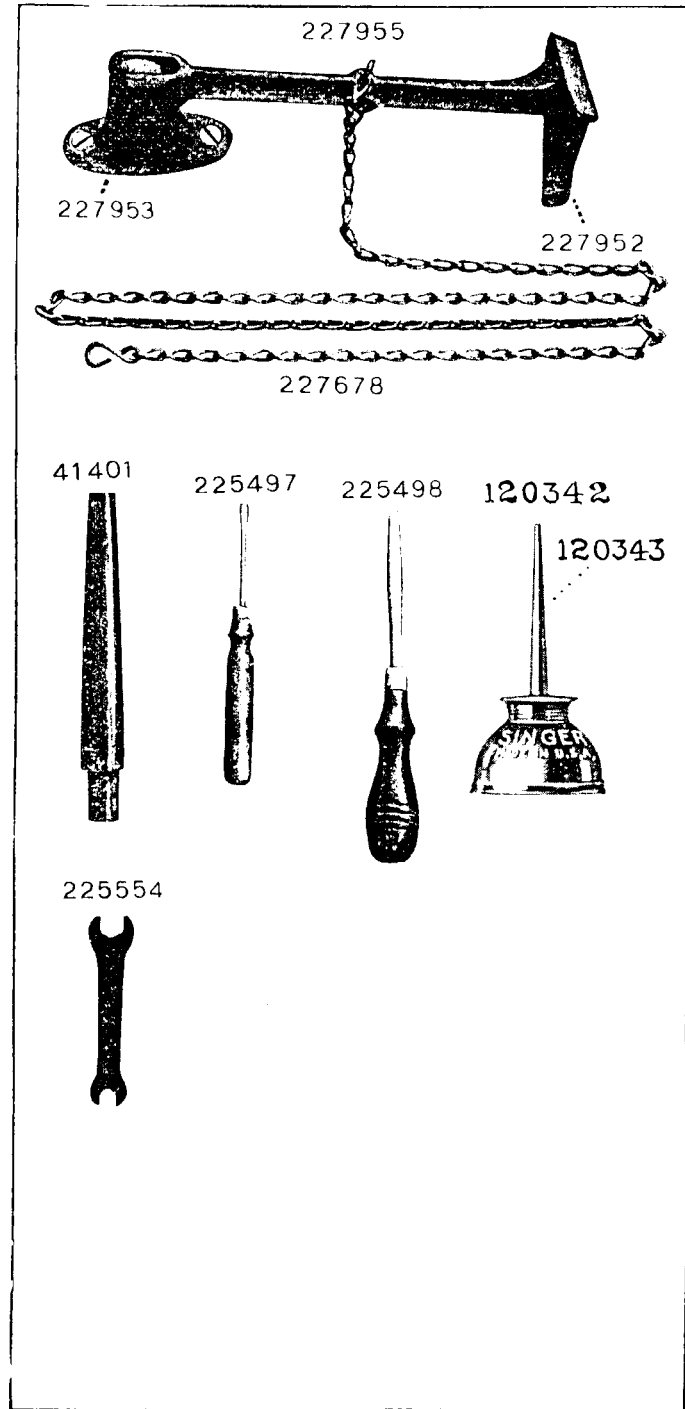


PLATE 11157 - ONE-HALF SIZE

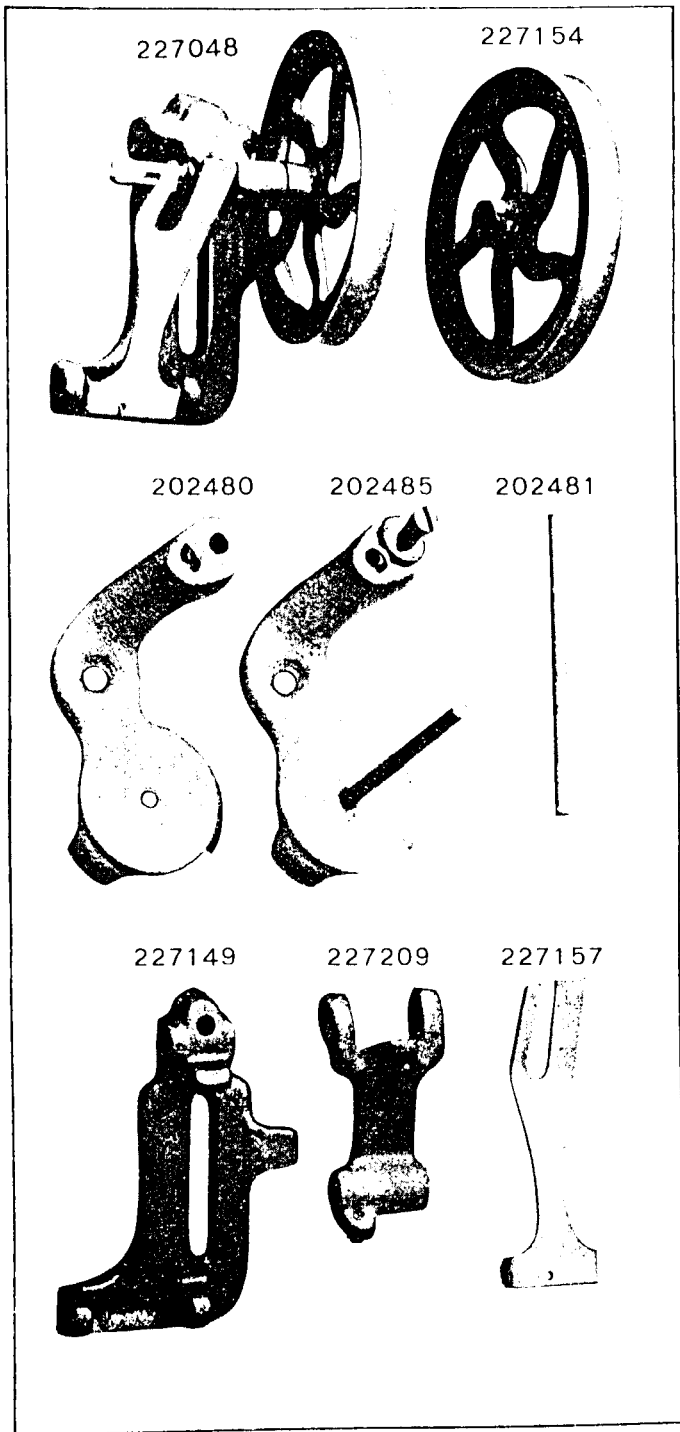


PLATE 14083 - ONE-SIXTH SIZE

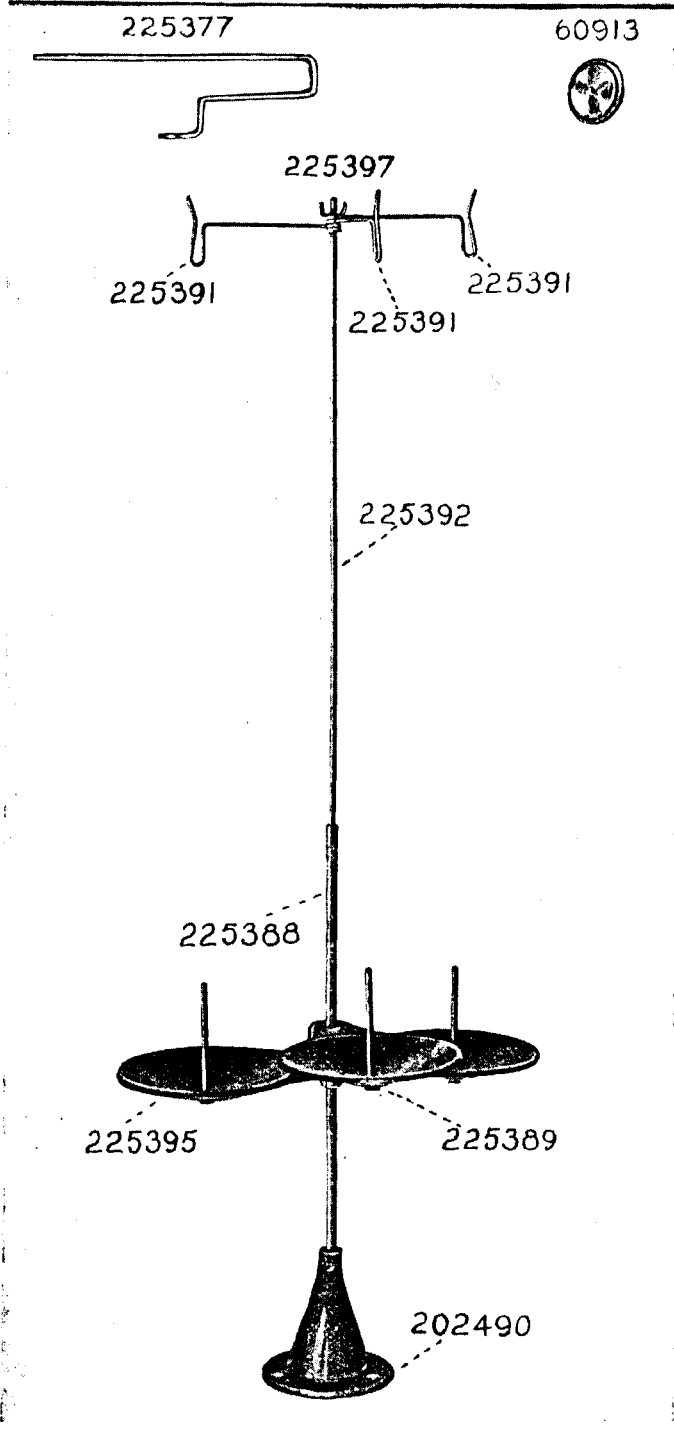


PLATE 14307—FULL SIZE

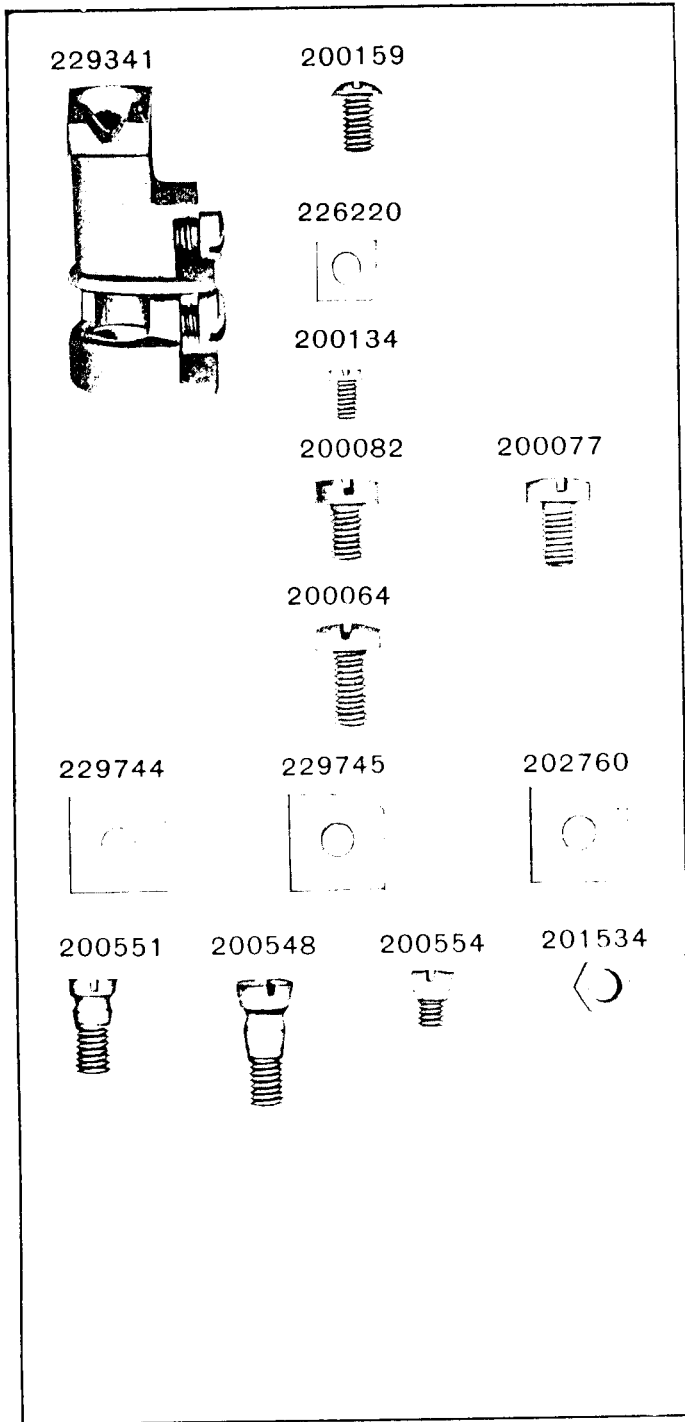


PLATE 15126—FULL SIZE

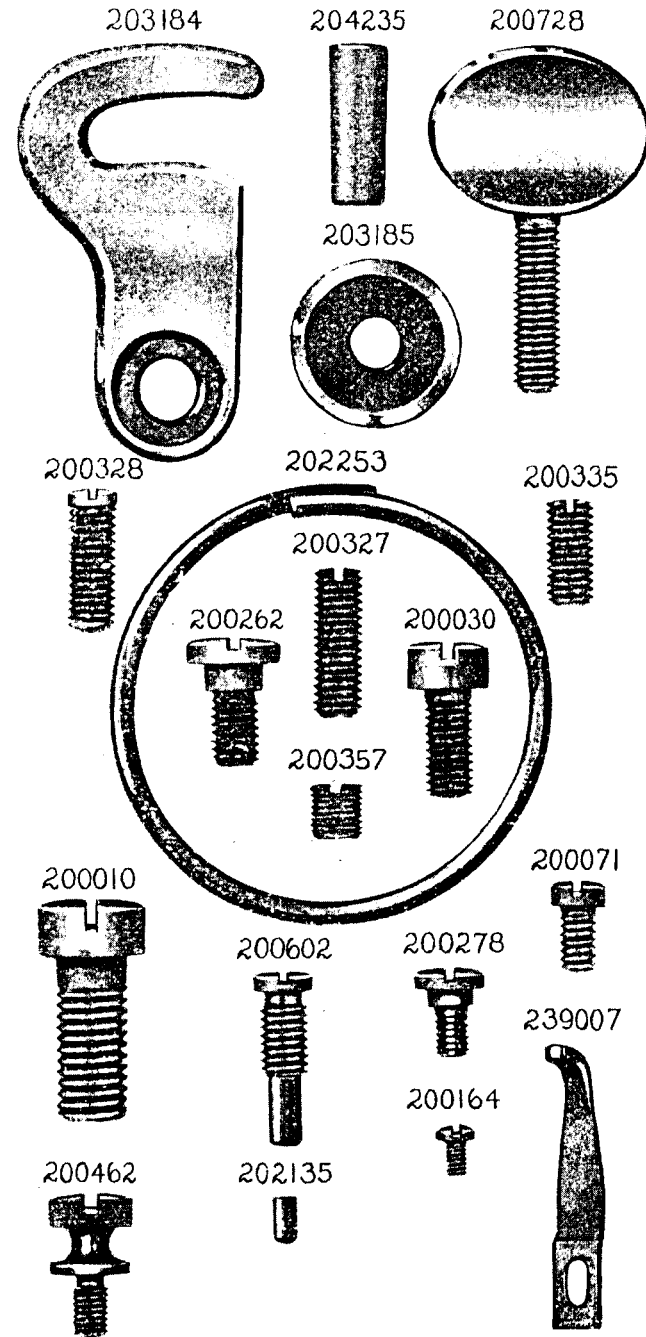


PLATE 15127—ONE-HALF SIZE

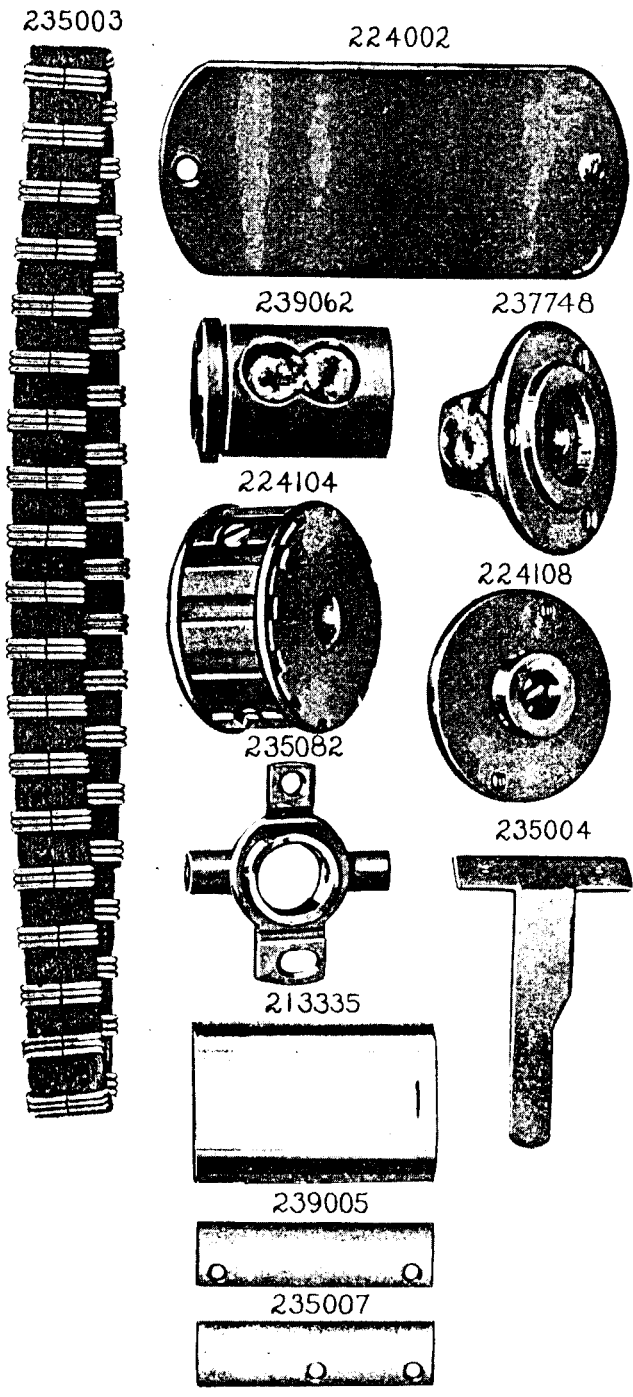


PLATE 15128—ONE-HALF SIZE

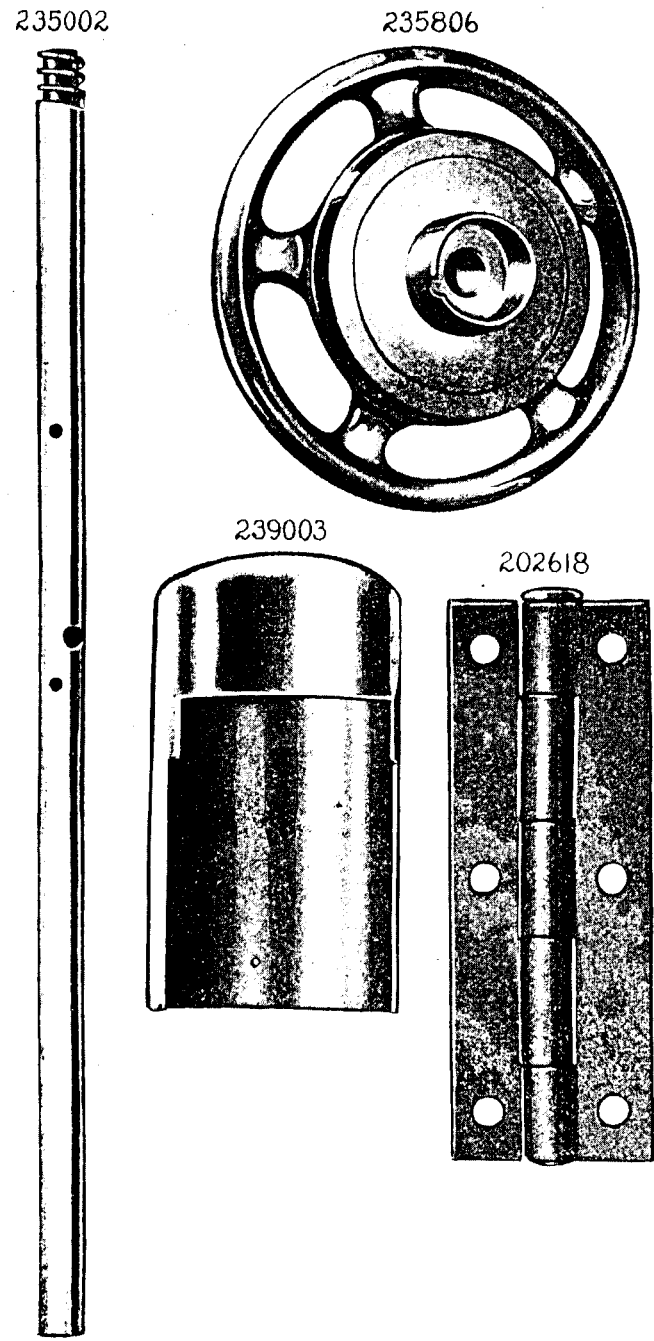


PLATE 15129—ONE-HALF SIZE

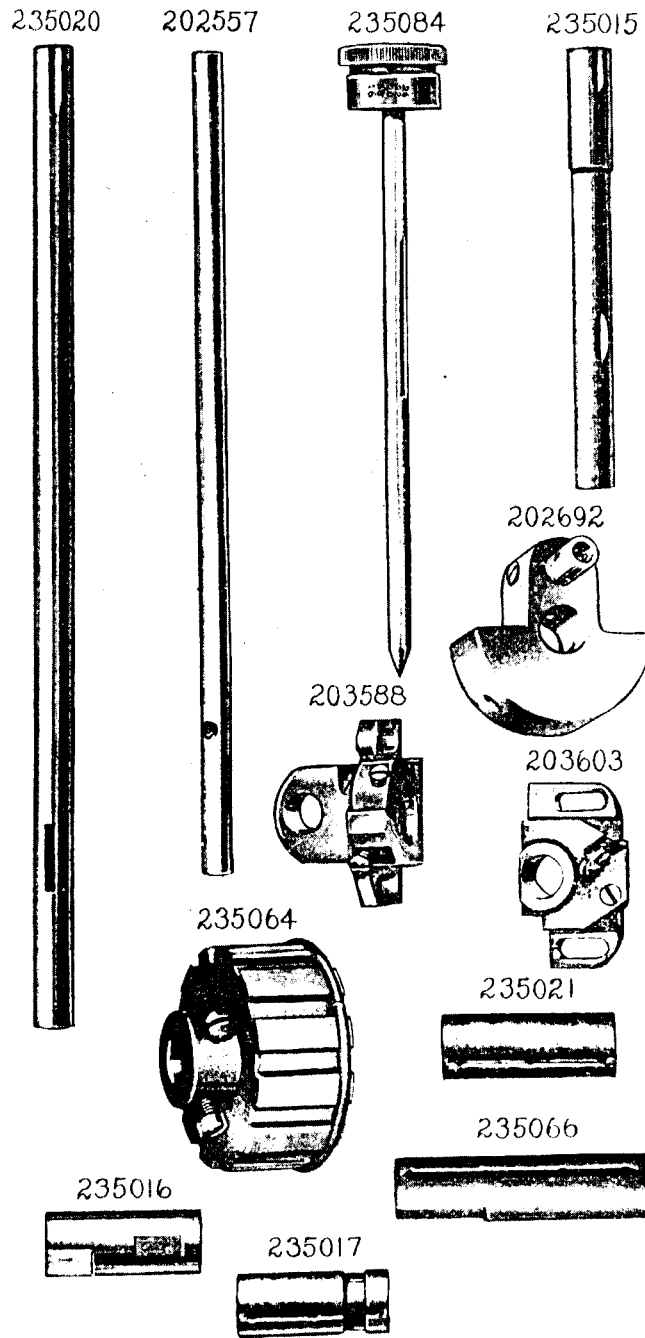


PLATE 15130—FULL SIZE

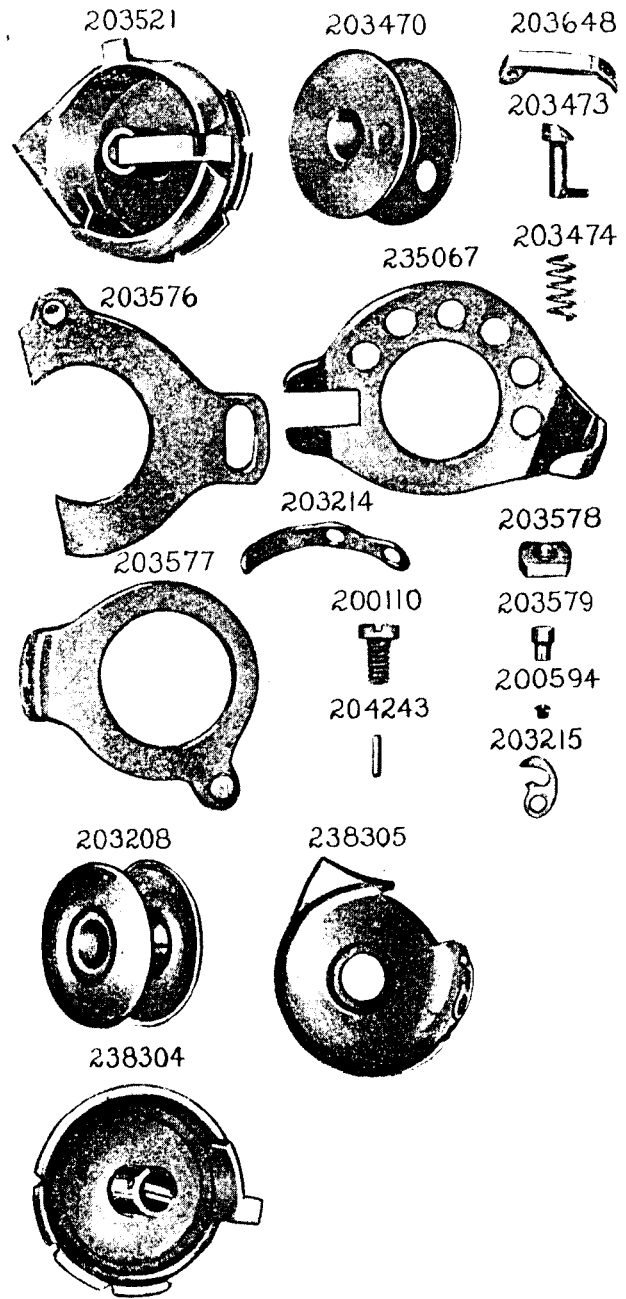


PLATE 15131—FULL SIZE

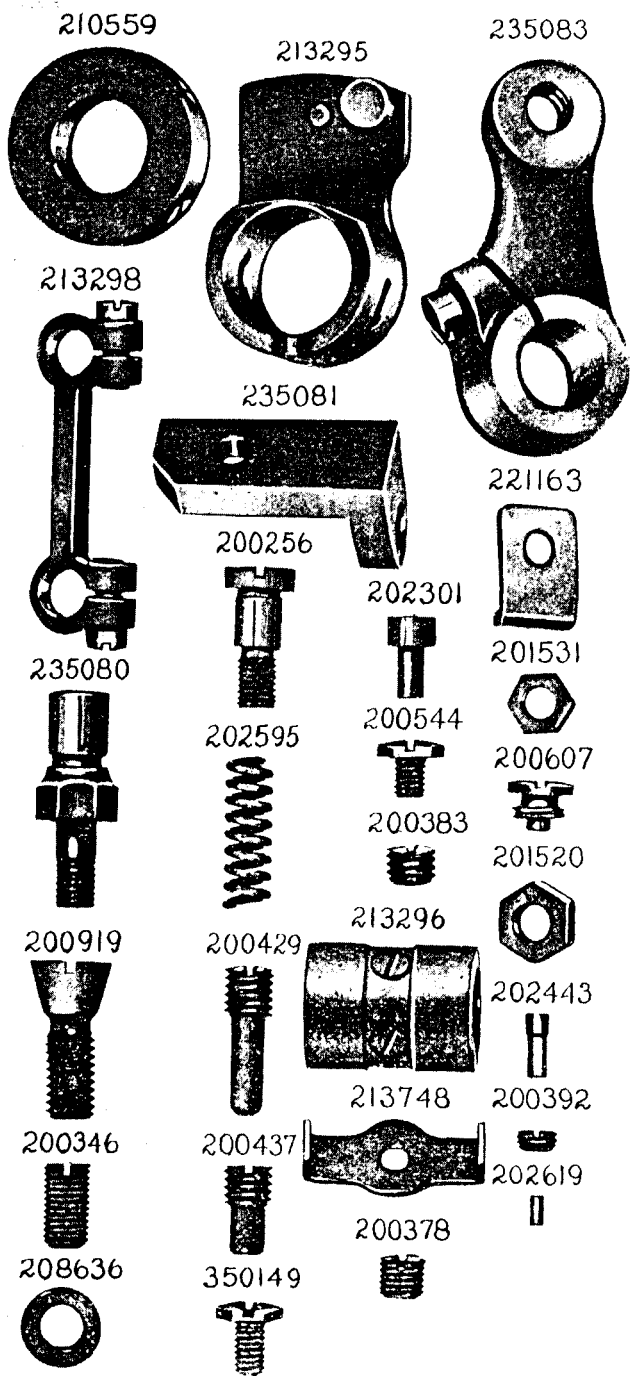


PLATE 15132—FULL SIZE

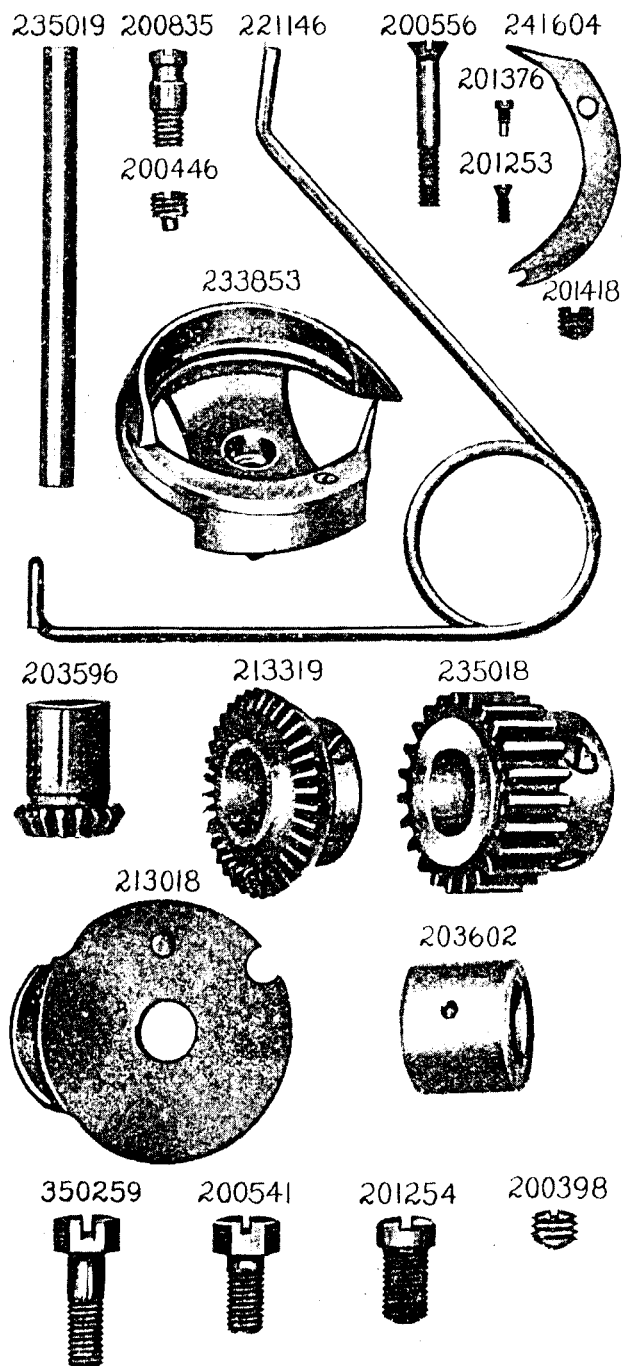


PLATE 15133—FULL SIZE

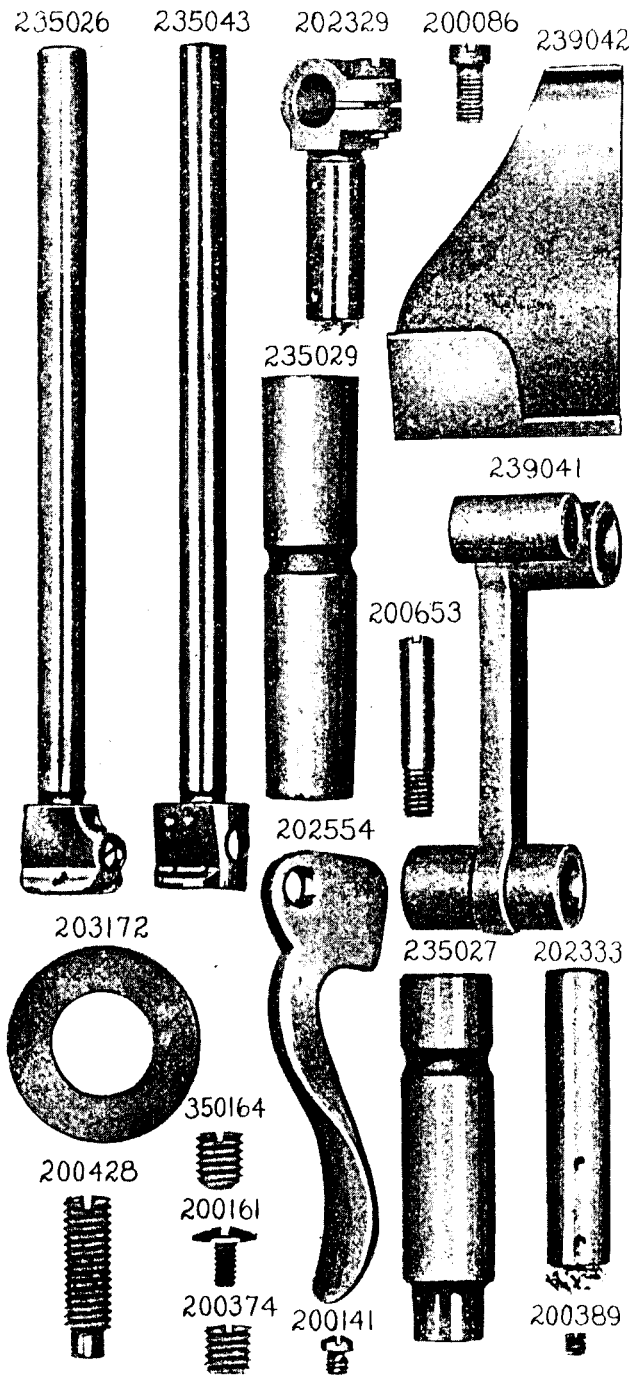


PLATE 15134—FULL SIZE

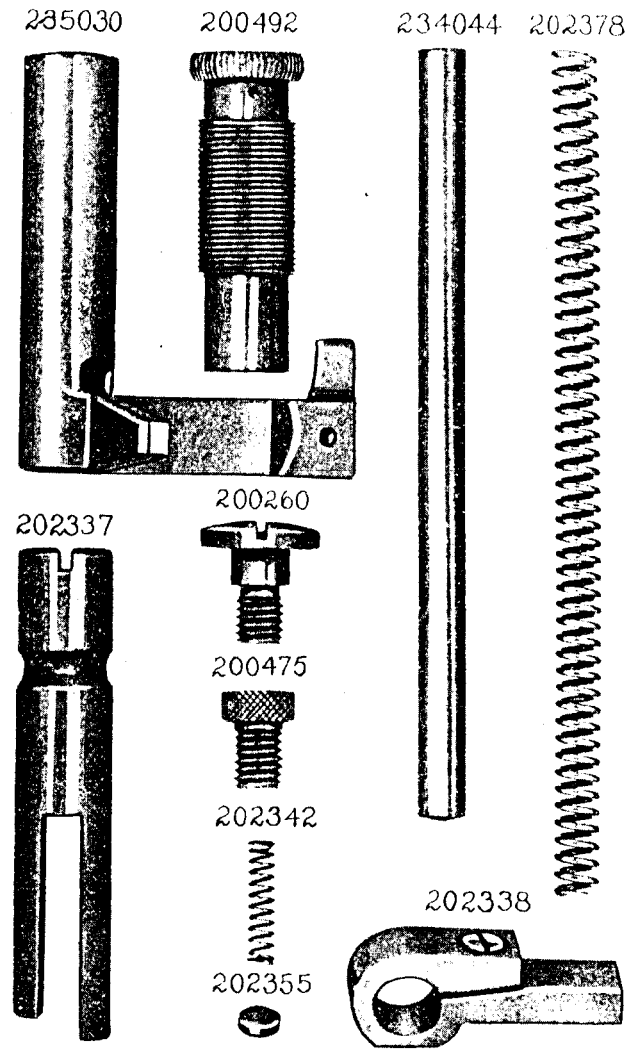


PLATE 15135—FULL SIZE

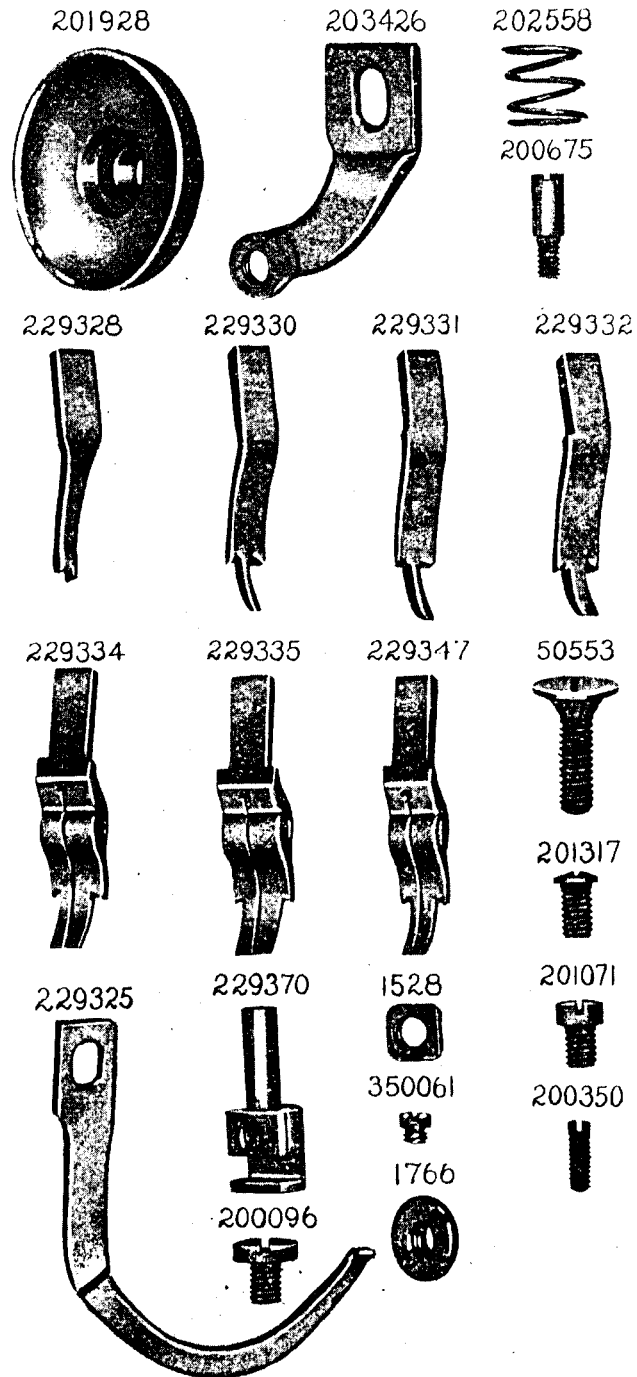


PLATE 15136—FULL SIZE

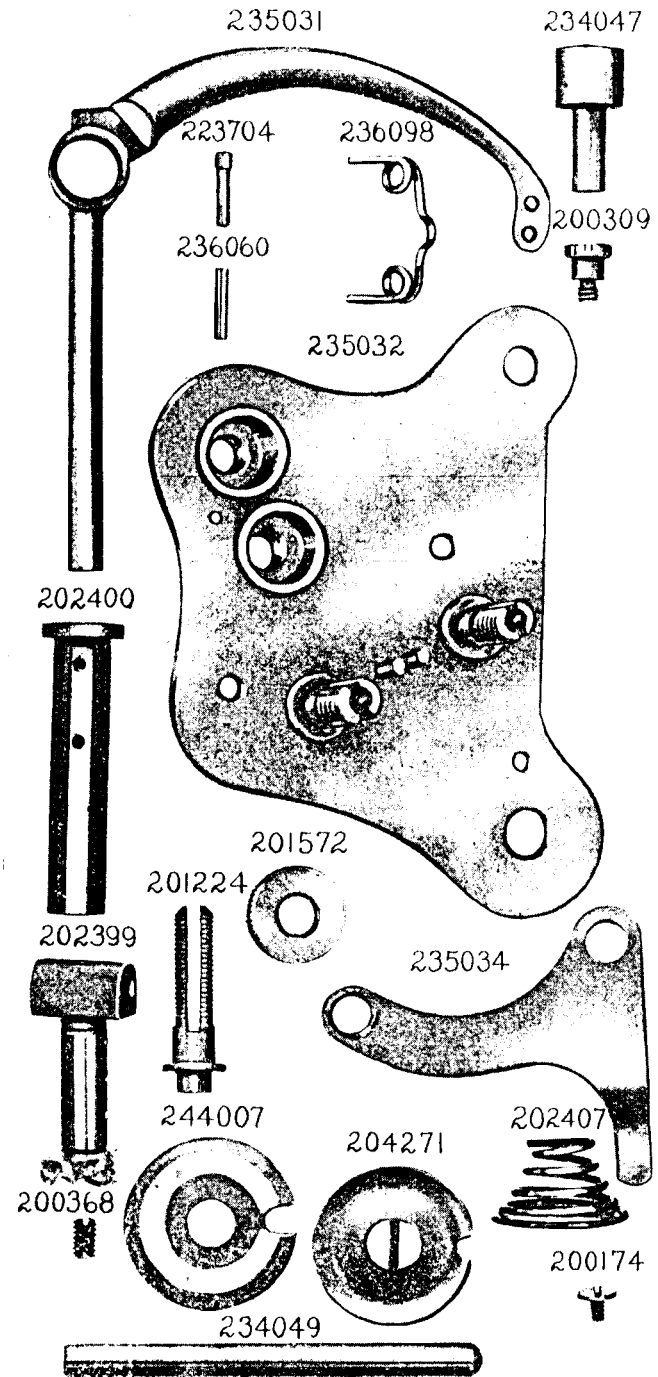


PLATE 15137—FULL SIZE

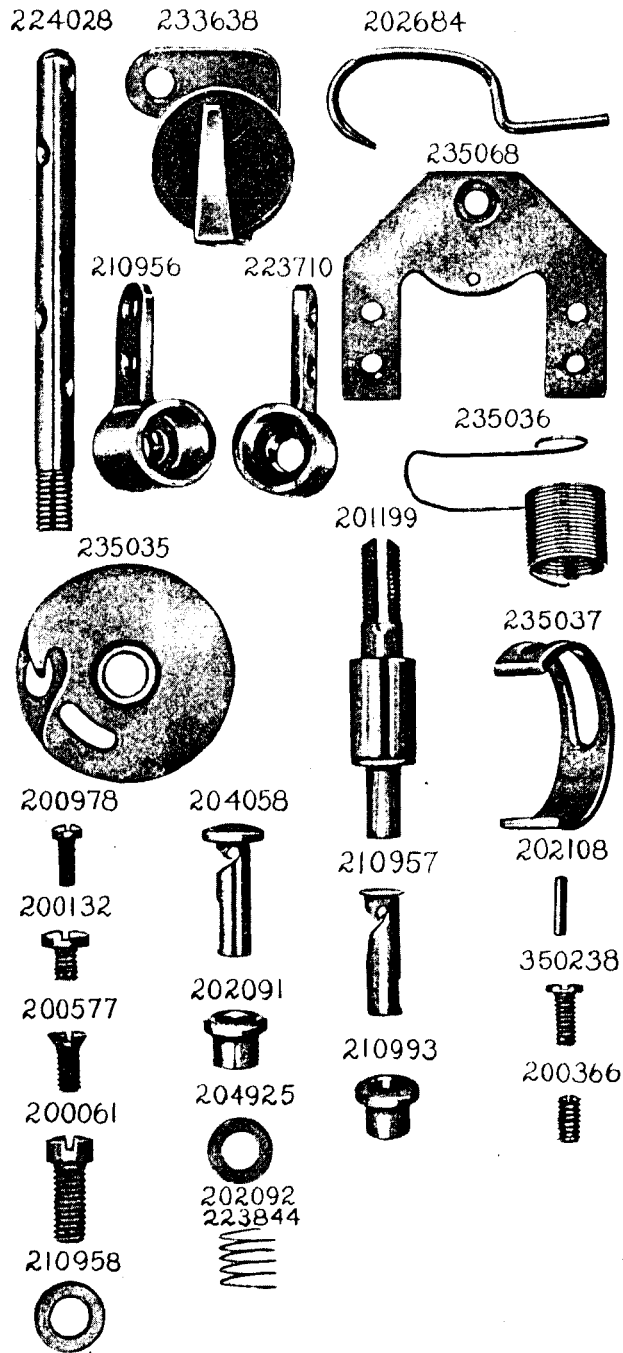


PLATE 15138—FULL SIZE

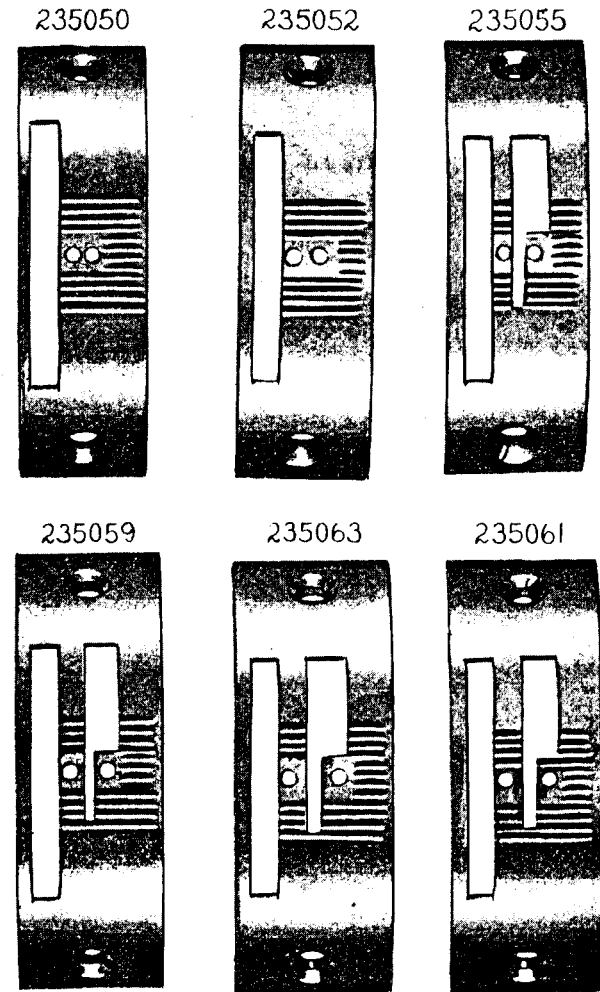
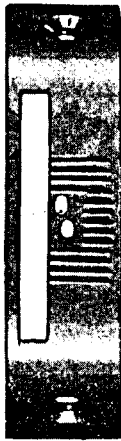
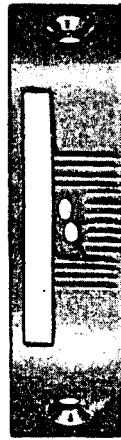


PLATE 15139—FULL SIZE

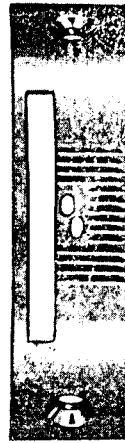
235038



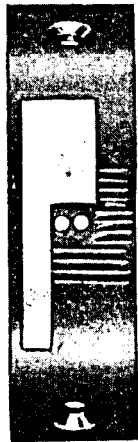
235039



235040



235051



238302

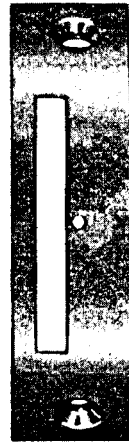
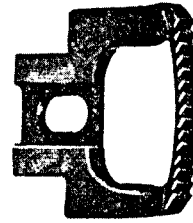
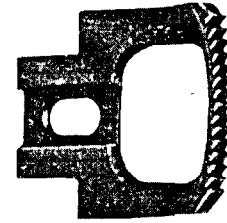


PLATE 15140—FULL SIZE

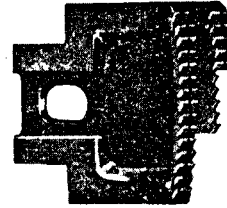
212523



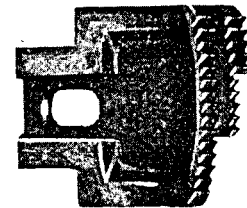
212526



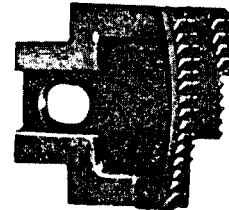
212547



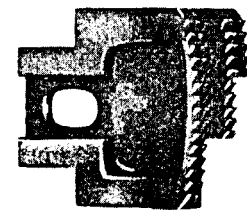
212550



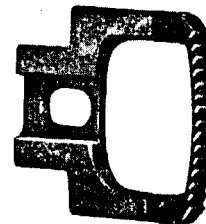
212552



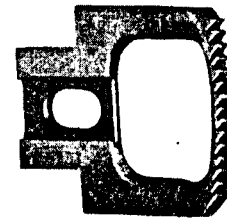
212554



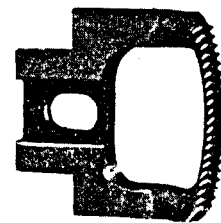
212347



212519



212520



212540

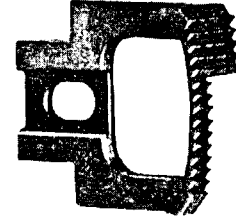


PLATE 15141—ONE-HALF SIZE

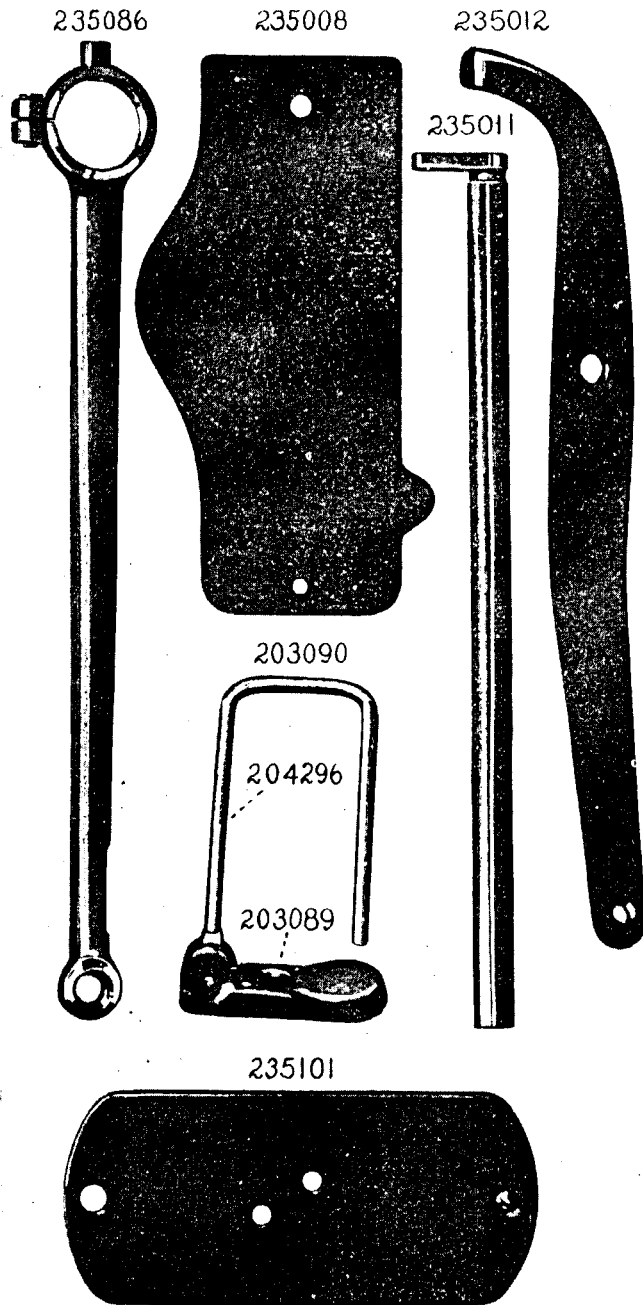


PLATE 15142—FULL SIZE

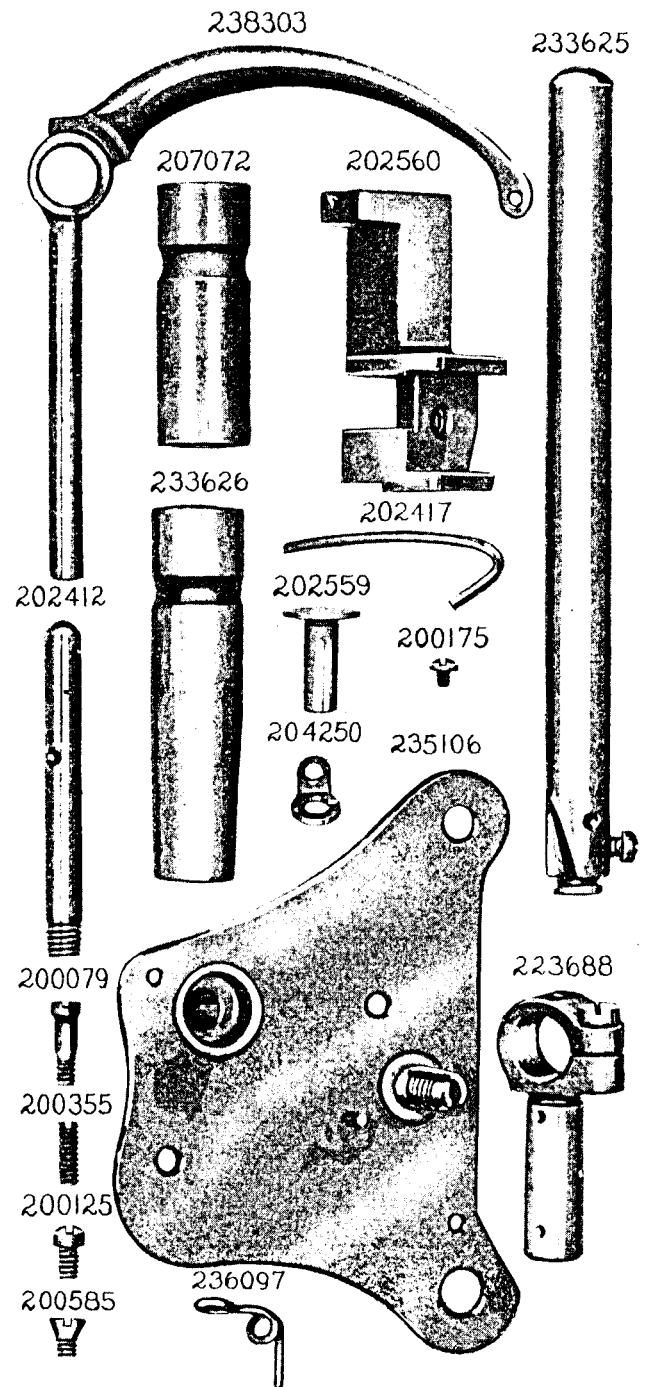
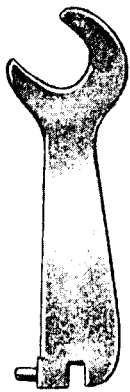


PLATE 15143—FULL SIZE

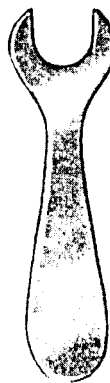
202803



204033



4822



227954



201696



225016



202784



202482



201018



202483



225393



200011



202484



208



200380

